

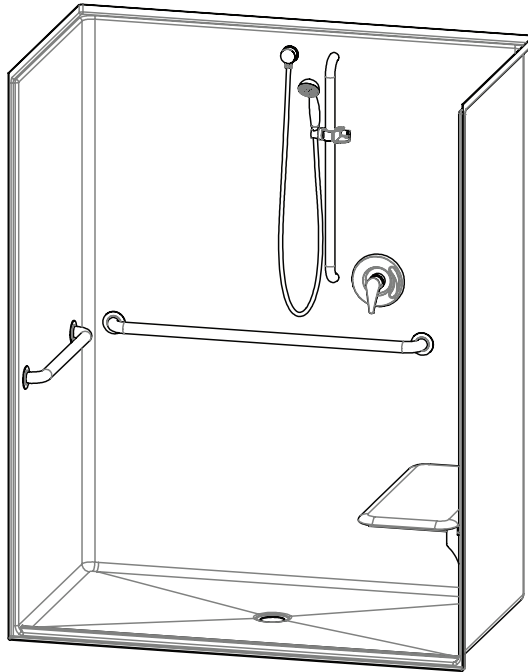
1603BFSDMA – ACCESSIBLE SHOWERS

inches

Interior: 60 x 34 x 75 ¼

Exterior: 62 x 36 ¼ x 77 ¼

The 1603BFSDMA roll-in shower features innovative installation design, including an engineered leveled base and improved front threshold. A true time and money saver, our pre-leveled base lets you install directly on a **level** floor. And its front threshold is engineered to keep a constant level without the use of brackets during installation.



FEATURES

- Massachusetts only
- Pre-leveled base
- AcrylX™ applied acrylic surface
- ¾" skirt
- ½" beveled threshold
- Barrier free when properly installed
- Smooth wall
- Center drain
- Lifetime limited warranty (30 year commercial)

OPTIONS

- Grab bars
- Fold-up seat
- Hand-held shower assembly with slide bar
- Pressure balancing mixing valve
- Soap dish
- Curtain rod and/or shower curtain

CODE COMPLIANCE

- 521 CMR
- **Code compliant when fully equipped and installed according to guidelines.

AQUATIC ADVANTAGE

- 6 manufacturing facilities
- Private fleet
- Centralized customer service
- Field support

COLOR & TRIM OPTIONS

Stock	Upgraded
White	Almond Biscuit Bone

**Additional custom colors available.
(Contact Customer Service)



Aquatic products may be specified as Lasco Bathware.

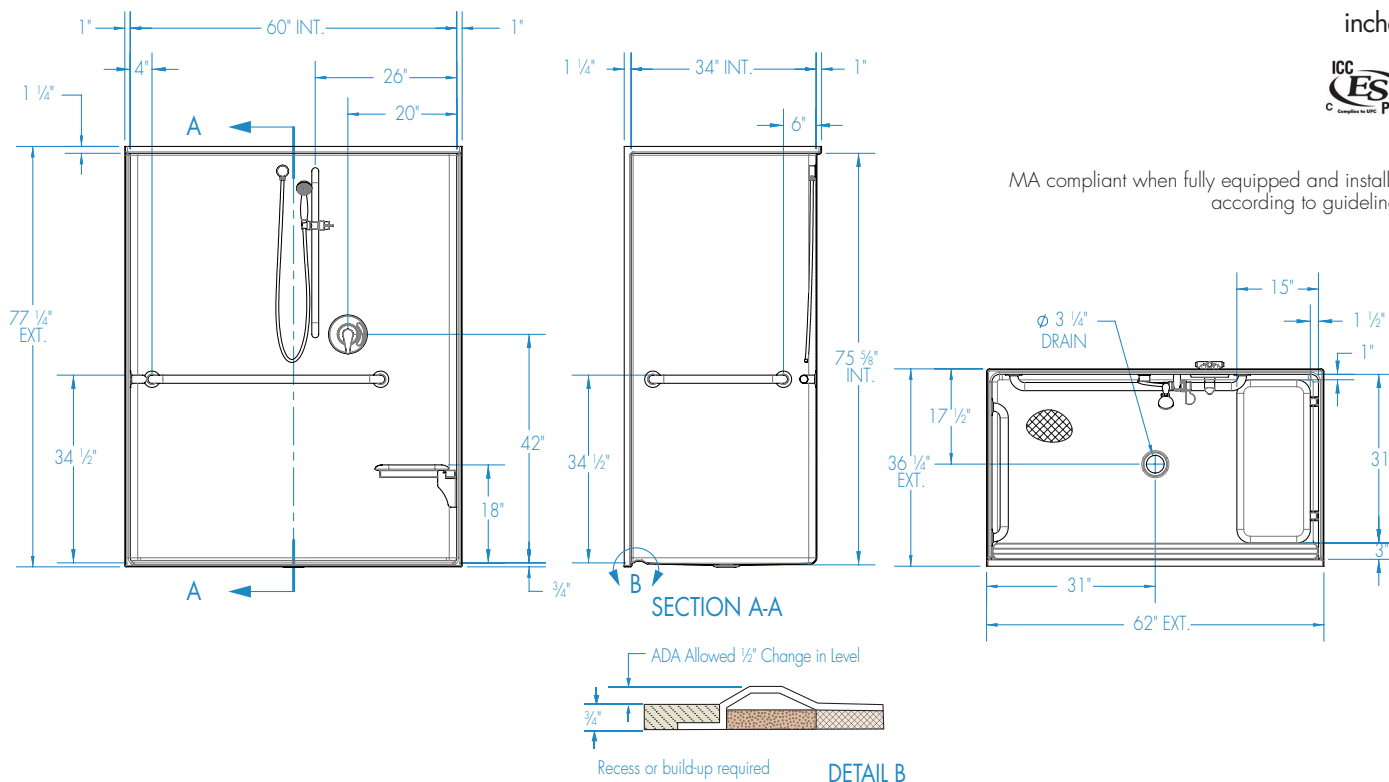


1603BFSDMA

Interior: 60 x 34 x 75 1/4
Exterior: 62 x 36 1/4 x 77 1/4
inches



MA compliant when fully equipped and installed according to guidelines.



FEATURES

Dimensional Tolerance $\pm \frac{3}{8}$ ". Dimensions needed for site preparation should be measured from the unit. Aquatic assumes no responsibility for preparatory work.

Type and Model #	Material	Wall Finish	Pieces	Drain	Dam/Skirt Height	Net Wt. lbs	Pkg. Wt. lbs
Shower #1603BFSDMA	AcrylX™	Smooth	1	Center	3/4" skirt, 1/2" threshold	202	212

DIMENSIONS

Specifications	inches
Width: Overall / Net	62 / 60
Depth: Overall / Net	36 1/4 / 34
Height: Overall / Net	77 1/4 / 75 1/4
Enclosure Opening:	60
Skirt Height:	3/4
Drain Rough-In (from Back Wall)	17 1/2
Drain Rough-In (from Side Wall)	31

FRAMING DIMENSIONS inches

Type	D Depth	W Width	H Height	A	B	C
Alcove	36 1/4	62 1/8	-	Box Out	31	17 1/2

