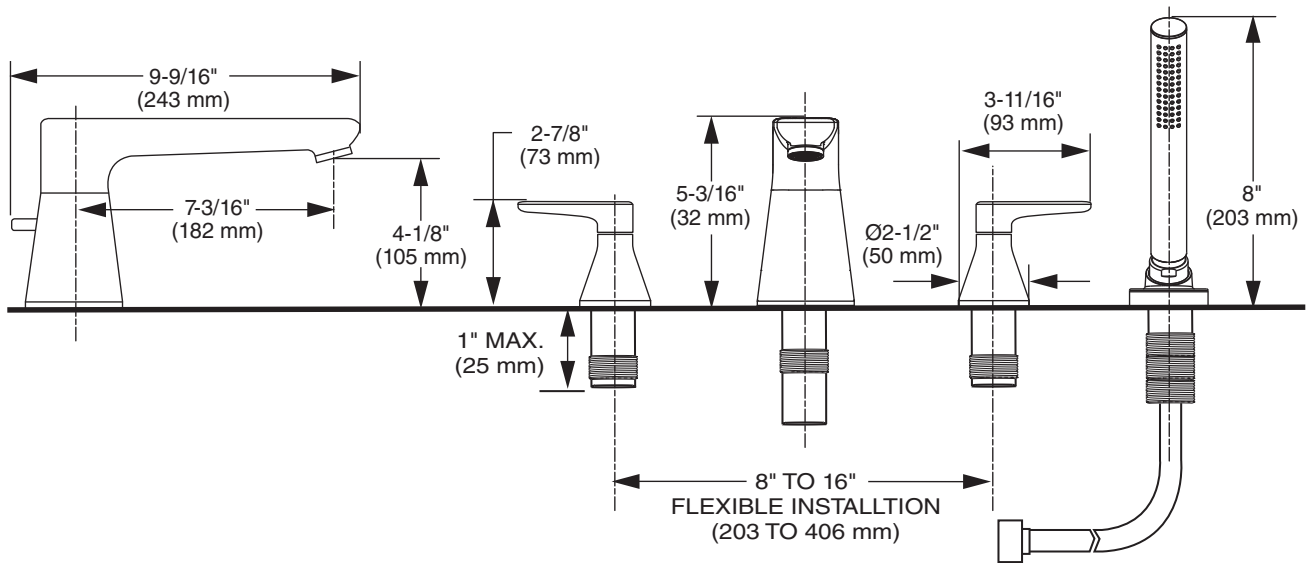


MODEL NUMBER:

- **T061901 Roman Tub Filler Trim WITH Shower**

For use with Flash™ rough valves



GENERAL DESCRIPTION:

Installs with Flash rough valve platform. Washerless 1/4 turn ceramic disc valve cartridges. Durable brass spout. Metal lever handles. Trim kit provides an additional 1" installation adjustability for finished deck.

PRODUCT FEATURES:

Brass Construction: Durable. Ideal for prolonged contact with water.

Ceramic Disc Valve Cartridge: Assures a lifetime of drip-free performance.

Separate Hand Shower: Includes coordinating 1.8 GPM hand shower for versatility.

SUGGESTED SPECIFICATION

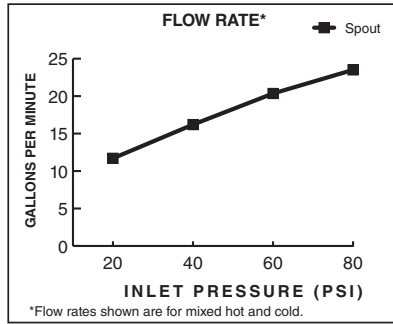
Two handle deck-mount tub filler shall feature cast brass construction. Shall also feature 1/4 turn washerless ceramic disc valve cartridges. Fitting shall be American Standard Model # T061901.

CODES AND STANDARDS

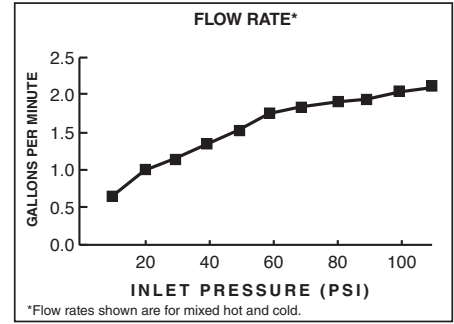
These products meet or exceed the following codes and standards:

ASME A112.18.1
CSA B125.1

Check local plumbing codes.
Some installations may require a vacuum breaker.



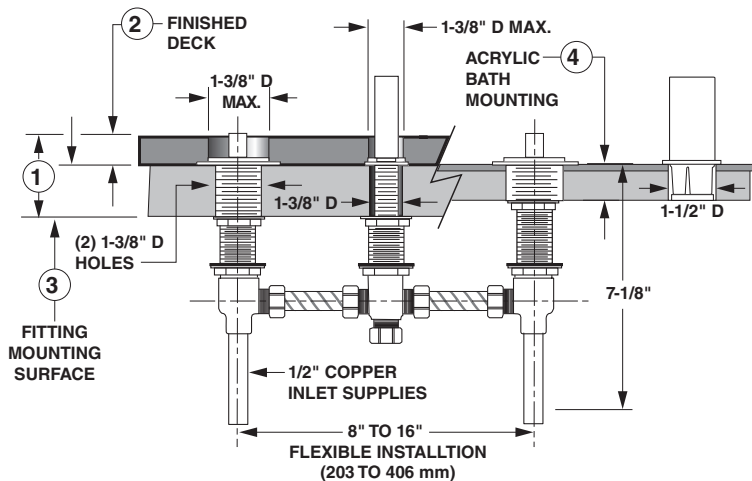
TUB SPOUT FLOW



HAND SHOWER FLOW

Product Number	Description	CEC	Finish Options		
			Polished Chrome	Brushed Nickel	Matte Black
T061901	Roman Tub Filler with Shower.		002	295	243
			✓	✓	✓

□ **T061901 Roman Tub Filler– WITH Shower**



- 1. DECK THICKNESS**
TOTAL DECK THICKNESS
UP TO 2-1/2"
- 2. FINISHED DECK**
FINISHED DECK VARIABILITY
ACCOMMODATES DECKING
MATERIAL (TILE, MARBLE,
CORIAN®...) TO 1" THICK
- 3. FITTING MOUNTING SURFACE**
ADJUSTABILITY, TO 1-1/2" THICK
- 4. ACRYLIC BATHS**
ADJUSTABILITY, TO 1-1/2" THICK

