

Features

- Genuine Vitreous China
- Undermount Installation
- Single Compartment
- Rectangular Shaped Bowl

Undermount Vanity



Dimensions

Outer: 18-1/8" x 13" x 7"
Inner: 16-1/4" x 11" x 5-1/2"

Model Number	Description	Colors / Finishes
YES6360	Undermount Sink	White
YES6365	Undermount Sink	Bisque

Included Components

- Cut-out template

Available Colors



Optional Accessories

- Pop-Up Drain
- Mounting Clips

Codes / Standards Applicable

Specified model meets or exceeds UPC certification



Product Specification

The undermount vanity sink shall be 18-1/8" in length and 13" in width, with an overall depth of 7-1/2" and an inner bowl depth of 5-1/2". Sink shall be a single compartment with rounded rectangular bowl, composed of Vitreous China. Sink shall be Continental Model "Dart".

TECHNICAL INFORMATION

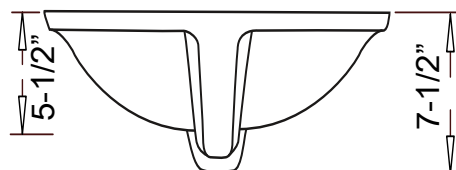
Fixture*	
Basin Area	16-1/4" x 11"
Water Depth	5-1/2"
Drain Hole	1-7/8" D
*Approximate measurements for comparison only.	

Please note: All porcelain sinks are fired at a very high temperature; final dimensions may vary slightly.

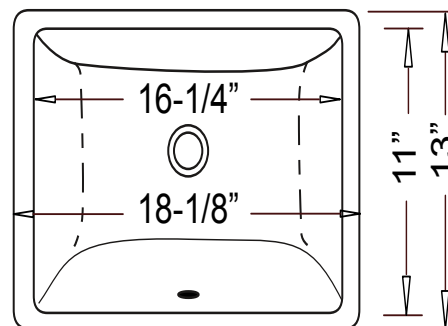


Installed Product Image

Front View



Top View



Product Diagram