



see what Delta can do™

KITCHEN SINKS

- Rivet® Collection
- Undermount Workstation

FEATURES:

- Undermount Single Bowl Sink
- Rear Center Set Drain
- NoiseDefend Undercoating and Sound Dampening Pads

STANDARD SPECIFICATIONS:

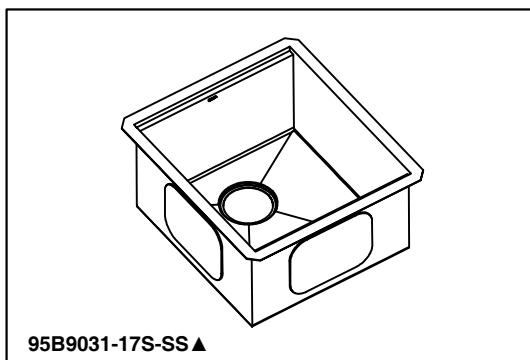
- 16 Gauge Stainless Steel Construction
- Required Minimum Cabinet Size: 21" Left to Right, 24" Front to Back
- 3 7/8" Drain Opening
- Strainer ADU25-SS (included)
- Strainer Cap AEU25-SS (included)
- Bottom Grid AFU31-UM17-SS (included)
- Cutting Board ABU24-VWFB-BL (included)
- Drying Mat ACU25-SDDM-BL (included)
- Cut-Out Template (included)
- Undermount Hardware (included)

WARRANTY:

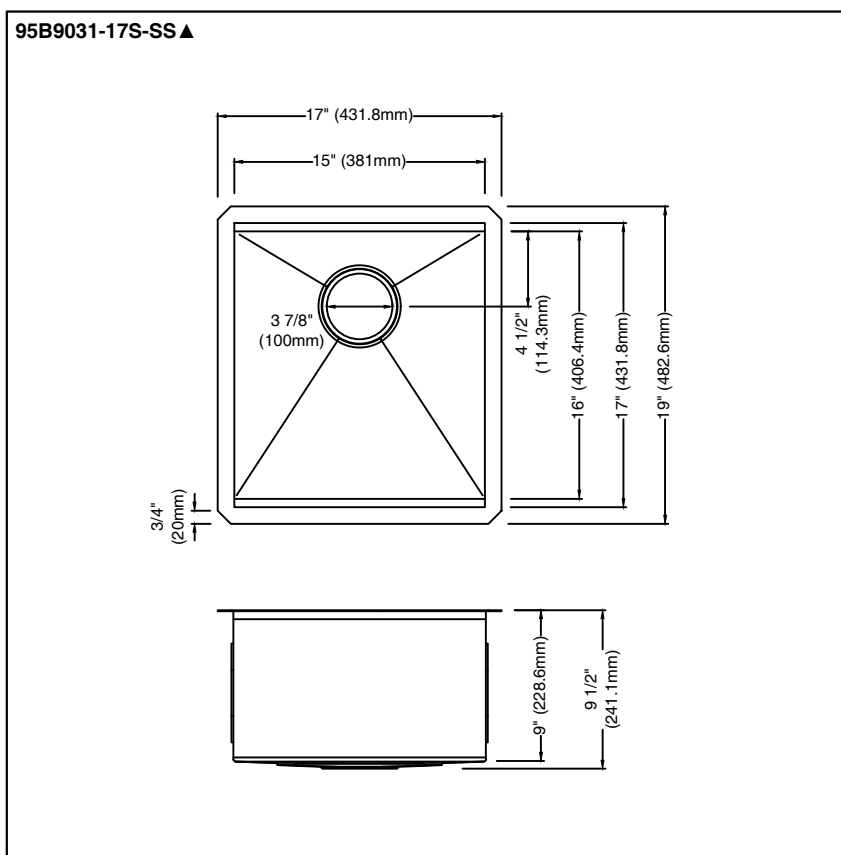
- Lifetime Limited Warranty

COMPLIES WITH:

- cUPC (ASME A112.19.3/CSA B45.4)



95B9031-17S-SS ▲



▲ Designate proper finish suffix

Delta reserves the right (1) to make changes in specifications and materials, and (2) to change or discontinue models, both without notice or obligation. Dimensions are for reference only. See current full-line price book or www.deltafaucet.com for finish options and product availability.

Delta Faucet Company

55 E. 111th Street, Indianapolis, IN 46280
350 South Edgeware Road, St. Thomas, ON N5P 4L1
Sinksupport@deltafaucet.com
© 2021 Delta Faucet Company



see what Delta can do™

KITCHEN ACCESSORY

- Kitchen Cutting Board

FEATURES:

- Designed to Use Over the Sink and On the Counter
- Included with the 95B9031-17S-SS Kitchen Sink

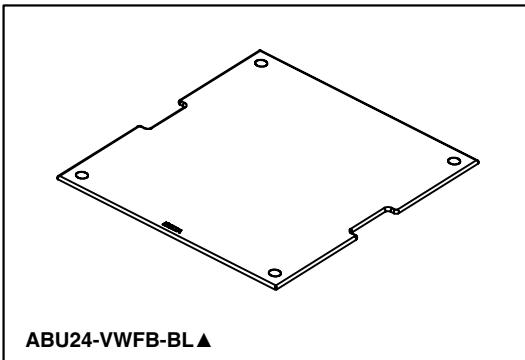
NOTE: Each piece may feature unique color variations

STANDARD SPECIFICATIONS:

- Wood Fiber
- Product Height: 1/4"
- Product Length: 14 7/8"
- Product Width: 16 7/8"

WARRANTY:

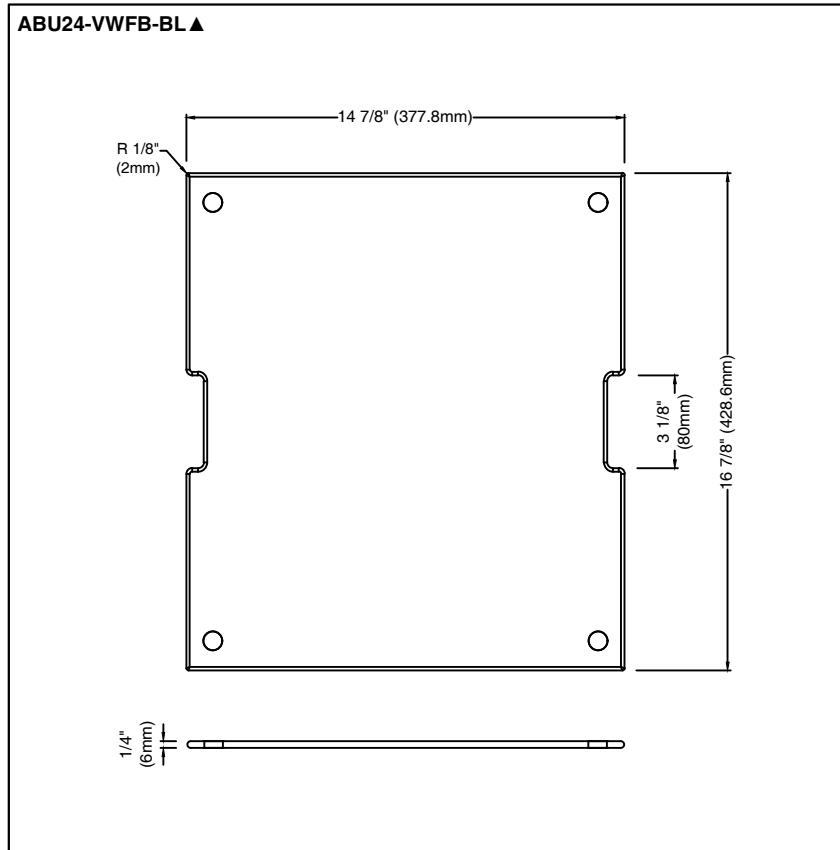
- 1 Year Limited Warranty



ABU24-VWFB-BL ▲

Submitted Model No.: _____

Specific Features: _____



▲ Designate proper finish suffix

Delta reserves the right (1) to make changes in specifications and materials, and (2) to change or discontinue models, both without notice or obligation. Dimensions are for reference only. See current full-line price book or www.deltafaucet.com for finish options and product availability.

Delta Faucet Company

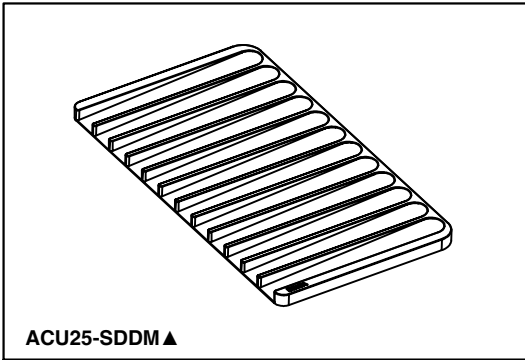
55 E. 111th Street, Indianapolis, IN 46280
350 South Edgeware Road, St. Thomas, ON N5P 4L1
Sinksupport@deltafaucet.com
© 2021 Delta Faucet Company



see what Delta can do™

KITCHEN ACCESSORY

- Multipurpose Drying Mat

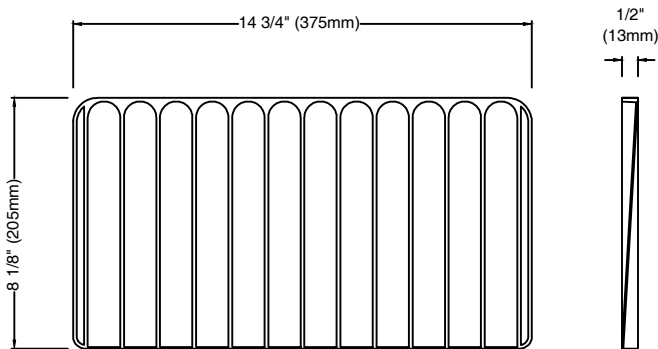


ACU25-SDDM ▲

Submitted Model No.: _____

Specific Features: _____

ACU25-SDDM ▲



FEATURES:

- Multi-Purpose dish drying rack
- Can be placed on your counter or within your sink to dry off your dishes
- Raised, angled and silicone ribs draw water into your sink and away from your dishes
- Unique Design holds dishes flat regardless of where they are placed on the mat
- 100% Food-Safe Silicone Coating: BPA-free and FDA approved
- Heat-Resistant up to 400°F
- Rolls up into a compact cylinder
- Easy to Clean: Simply rinse it off right in the sink
- Available in Black or Dark Grey
- Only compatible with Undermount sinks

STANDARD SPECIFICATIONS:

- Silicone Construction
- Product Height: 1/2"
- Product Length: 14 3/4"
- Product Width: 8 1/8"

WARRANTY:

- 1 Year Limited Warranty

▲ Designate proper finish suffix

Delta reserves the right (1) to make changes in specifications and materials, and (2) to change or discontinue models, both without notice or obligation. Dimensions are for reference only. See current full-line price book or www.deltafaucet.com for finish options and product availability.

Delta Faucet Company

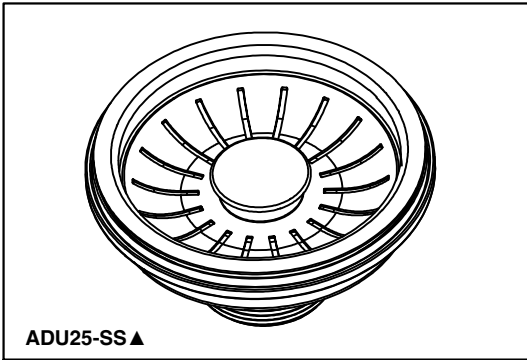
55 E. 111th Street, Indianapolis, IN 46280
350 South Edgeware Road, St. Thomas, ON N5P 4L1
Sinksupport@deltafaucet.com
© 2021 Delta Faucet Company



see what Delta can do™

KITCHEN ACCESSORY

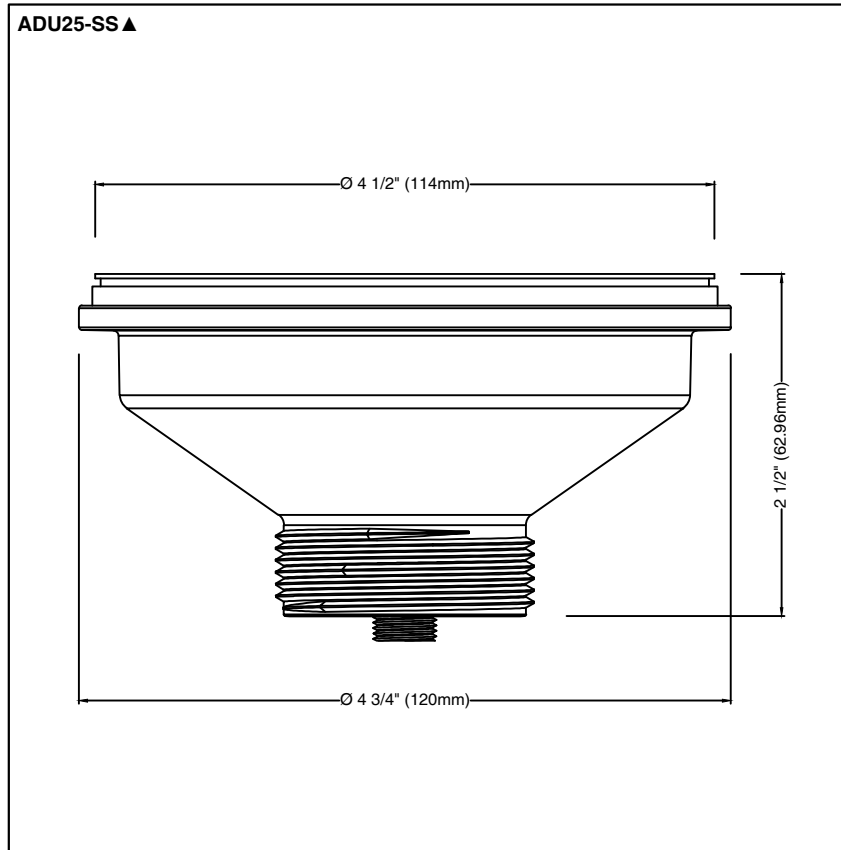
■ Kitchen Strainer



ADU25-SS ▲

Submitted Model No.: _____

Specific Features: _____



FEATURES:

- Strainer traps food particles and debris to keep drain clear
- Maximizes your sinks functionality and complements the look of your kitchen
- The open/close stopper creates a tight seal that prevents food and debris from clogging the drainpipe
- Durable Stainless Steel Construction
- Compatible with 95A931-25S-SS, 95A931-30S-SS, 95A931-33D-SS, 95A931-33S-SS, 95A932-25S-SS, 95A932-30S-SS, 95A932-33S-SS, 95B931-27S-SS, 95B931-30S-SS, 95B931-32S-SS, 95B931-33D-SS, 95B932-27S-SS, 95B932-30S-SS and 95B932-32S-SS kitchen sinks

STANDARD SPECIFICATIONS:

- Stainless Steel Construction
- Product Height: 2 1/2"
- Product Length: 4 1/2"
- Product Width: 4 1/2"

WARRANTY:

- 1 Year Limited Warranty

▲ Designate proper finish suffix

Delta reserves the right (1) to make changes in specifications and materials, and (2) to change or discontinue models, both without notice or obligation. Dimensions are for reference only. See current full-line price book or www.deltafaucet.com for finish options and product availability.

Delta Faucet Company

55 E. 111th Street, Indianapolis, IN 46280
350 South Edgeware Road, St. Thomas, ON N5P 4L1
Sinksupport@deltafaucet.com
© 2021 Delta Faucet Company



see what Delta can do™

KITCHEN ACCESSORY

■ Decorative Drain Cover

FEATURES:

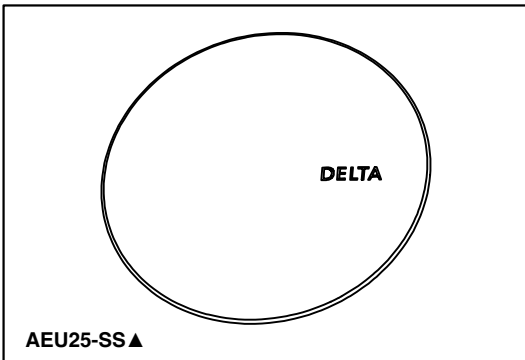
- Large removable decorative drain cover for kitchen sink
- Conceals garbage disposal and waste fittings
- Open sides ensure optimal drainage and allows water to drain easily even when sink is full
- Durable Stainless Steel Construction
- Fits over most garbage disposals and all standard strainers with a drain opening of 3.5" - 4"

STANDARD SPECIFICATIONS:

- Stainless Steel Construction
- Product Height: 3/4"
- Product Length: 4 1/8"
- Product Width: 4 1/8"

WARRANTY:

- 1 Year Limited Warranty

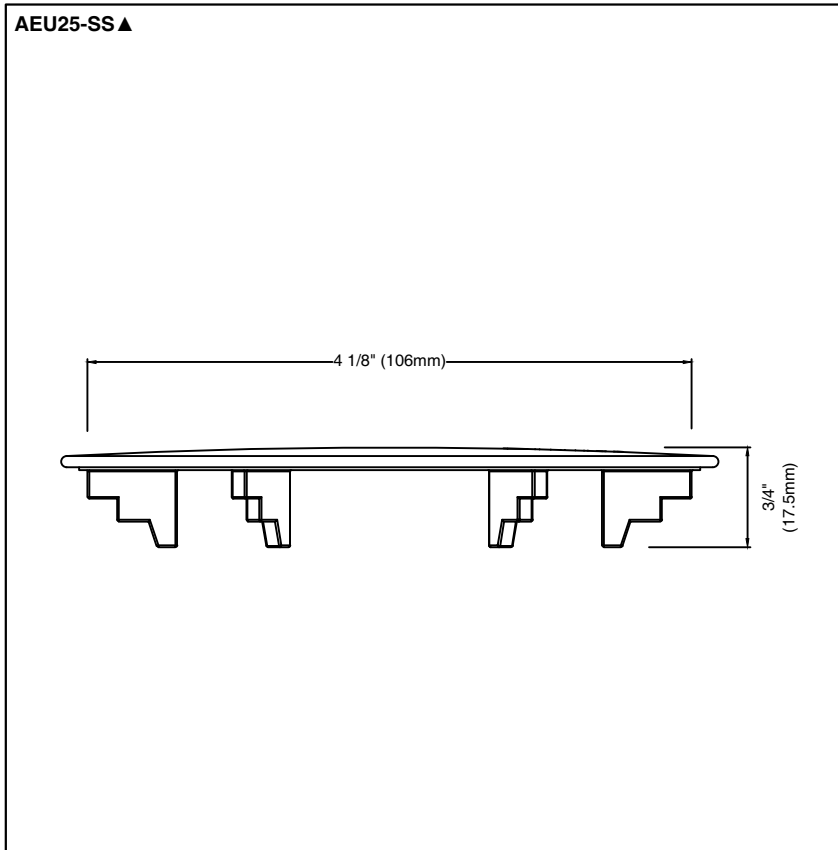


AEU25-SS ▲

Submitted Model No.: _____

Specific Features: _____

AEU25-SS ▲



▲ Designate proper finish suffix

Delta reserves the right (1) to make changes in specifications and materials, and (2) to change or discontinue models, both without notice or obligation. Dimensions are for reference only. See current full-line price book or www.deltafaucet.com for finish options and product availability.

Delta Faucet Company

55 E. 111th Street, Indianapolis, IN 46280
350 South Edgeware Road, St. Thomas, ON N5P 4L1
Sinksupport@deltafaucet.com
© 2021 Delta Faucet Company



see what Delta can do™

KITCHEN ACCESSORY

■ Kitchen Sink Grid

FEATURES:

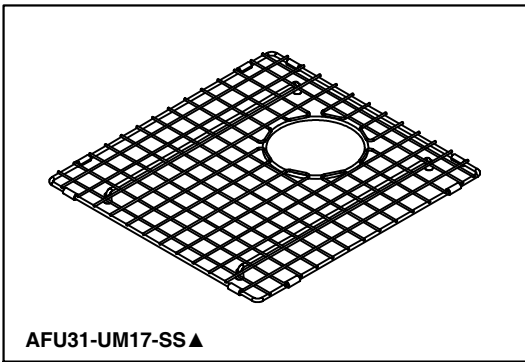
- For use with the 95B9031-17S-SS kitchen sink
- Protects bottom of the sink from daily wear and tear
- Rubber feet provide additional protection

STANDARD SPECIFICATIONS:

- Commercial grade Stainless Steel Construction
- Product Height: 7/8"
- Product Length: 14 5/8"
- Product Width: 15 5/8"

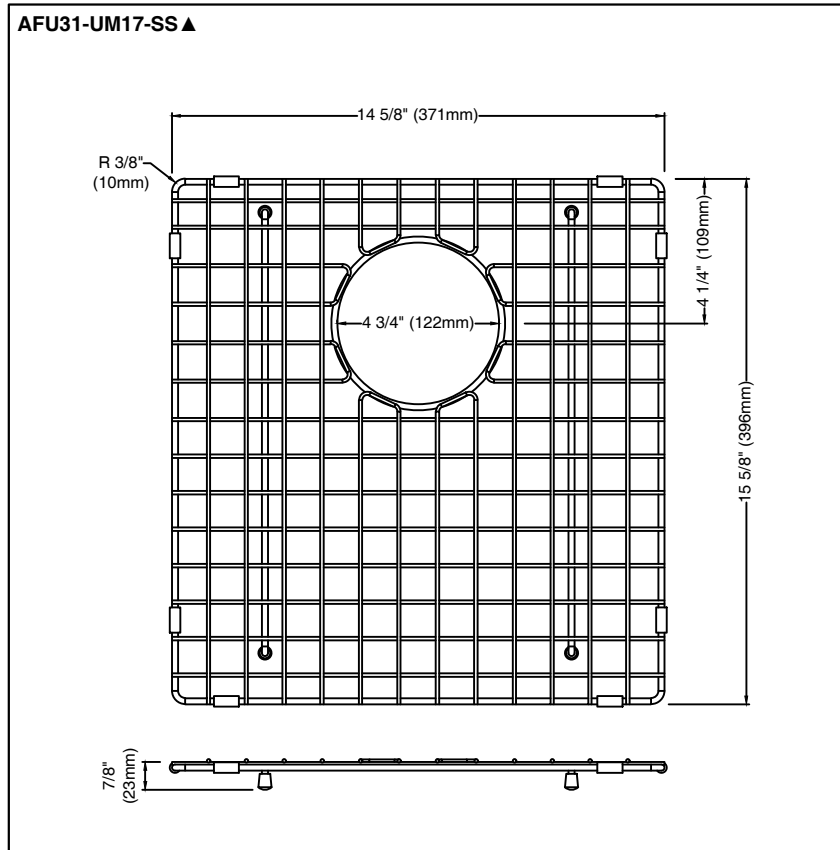
WARRANTY:

- 1 Year Limited Warranty



Submitted Model No.: _____

Specific Features: _____



▲ Designate proper finish suffix

Delta reserves the right (1) to make changes in specifications and materials, and (2) to change or discontinue models, both without notice or obligation. Dimensions are for reference only. See current full-line price book or www.deltafaucet.com for finish options and product availability.

Delta Faucet Company

55 E. 111th Street, Indianapolis, IN 46280
350 South Edgeware Road, St. Thomas, ON N5P 4L1
© 2021 Delta Faucet Company