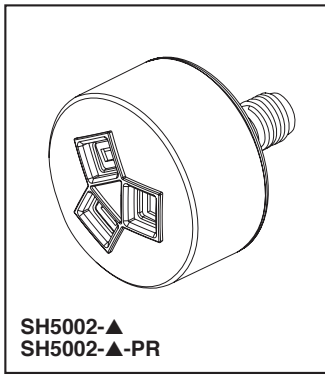




see what Delta can doSM

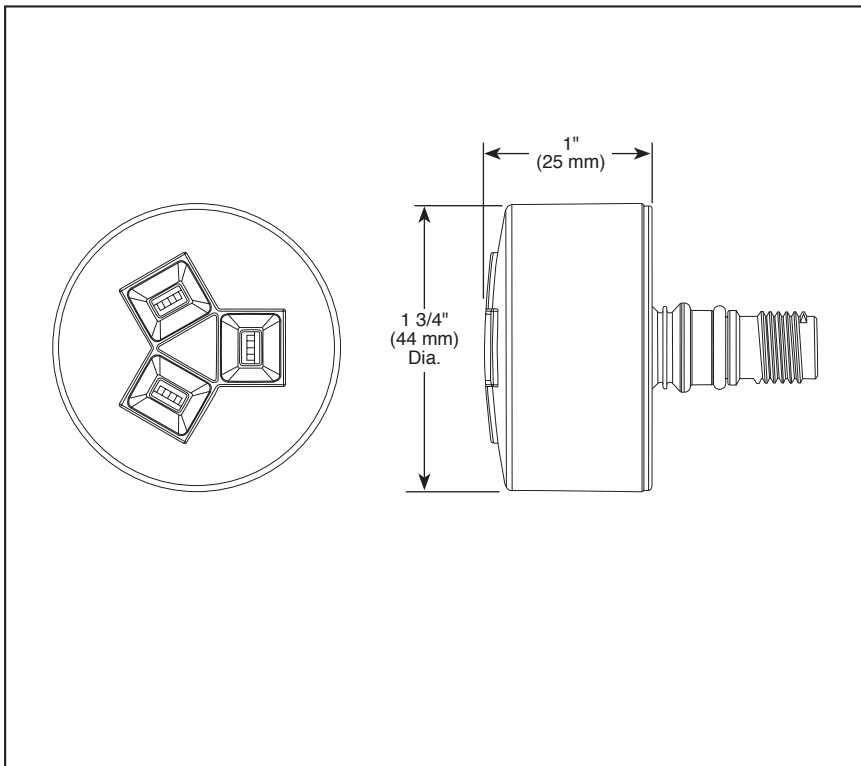
HYDRACHOICE[®] INVIGORATING SPRAY HEAD WITH H₂OKINETIC[®] TECHNOLOGY



SH5002-▲
SH5002-▲-PR

Submitted Model No.: _____

Specific Features: _____



▲ Designate proper finish suffix

FEATURES:

- H₂Okinetic[®] Technology
- Lumicoat[™] Finish (-PR models only)
- Lumicoat[™] Finishes easily wipe clean without cleaners and chemicals on the products most commonly touched areas

STANDARD SPECIFICATIONS

- Must order rough (R50200) and trim (T50010▲ or T50210▲) separately
- Spray head automatically extends 1 11/32" out of the wall when water is turned on
- Spray heads are interchangeable by user
- Spray heads adjust up to 50° in any direction once extended

WARRANTY

- Parts and Finish - Lifetime limited warranty; or for commercial purchasers, 10 years for multi-family residential (apartments and condominiums) and 5 years for all other commercial uses, in each case from the date of purchase.
- Electronic Parts and Batteries (if applicable) - 5 years from the date of purchase; or for commercial purchasers, 1 year from the date of purchase. No warranty is provided on batteries.

COMPLIES WITH:

- ASME A112.18.1 / CSA B125.1

Delta reserves the right (1) to make changes in specifications and materials, and (2) to change or discontinue models, both without notice or obligation. Dimensions are for reference only. See current full-line price book or www.deltafaucet.com for finish options and product availability.

BSP-B-SH5002 Rev. C

Delta Faucet Company

55 E. 111th Street, Indianapolis, IN 46280
350 South Edgeware Road, St. Thomas, ON N5P 4L1
© 2021 Delta Faucet Company