

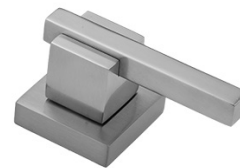
INSTALLATION INSTRUCTIONS

CUBIX® Roman Tub Set
Part #: 4404-

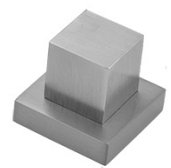
JACLO[®]
Confidence from start to finish.[®]



Handle Options:



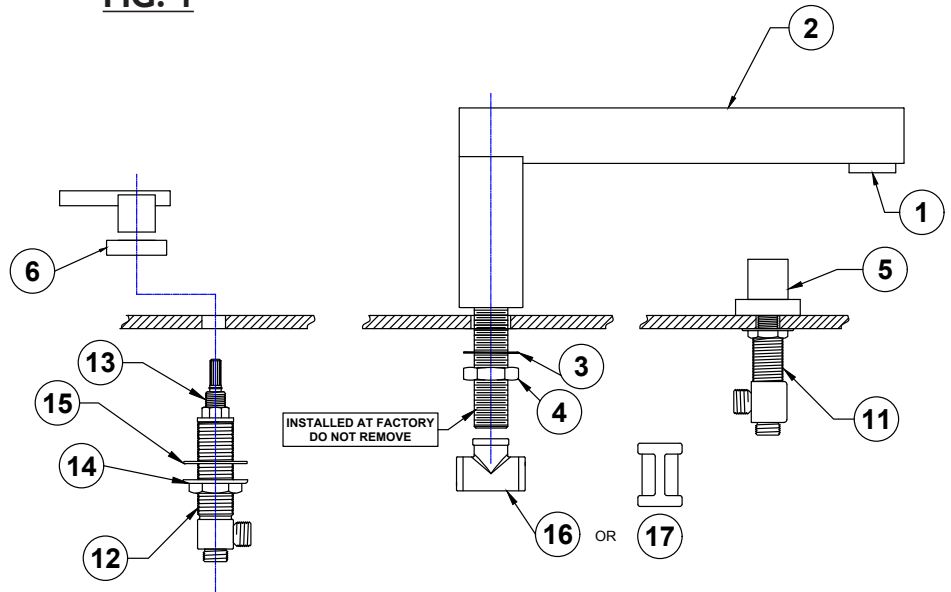
T670



T673

FIG. 1

COMPONENT PARTS		
TRIM	1	Aerator - CU-406-AER
	2	Tub Spout - CU-406-SPT
	3	Steel Washer - Comes w/ Spout
	4	Brass Nut - Comes w/ Spout
	5	Handle (2) - Varies by Model
	6	Escutcheon (2) - CU-400-ESC
ROUGH	11	Cold Valve - RTC-RGH
	12	Hot Valve - RTH-RGH
	13	Cartridge (2) (Pre-installed)
	14	Valve Body Nut (4)
	15	Fiber Washer (4)
	16	3/4" Brass Tee - 300-34-0
	17	3/4" Brass Coupling - D16303-34



SPOUT AND VALVE BODY INSTALLATION

SPOUT

1. Spout Hole should be 1-1/4" to 1-3/8" max, Valve holes 1-1/4" to 1-3/8" max.
2. Remove nut (4) and washer (3) from spout,
3. Place Spout Assembly in from top of counter.
4. Re-install washer (3) and brass nut (4) and tighten.
5. Install Tee (16) with suitable pipe sealant.

VALVES

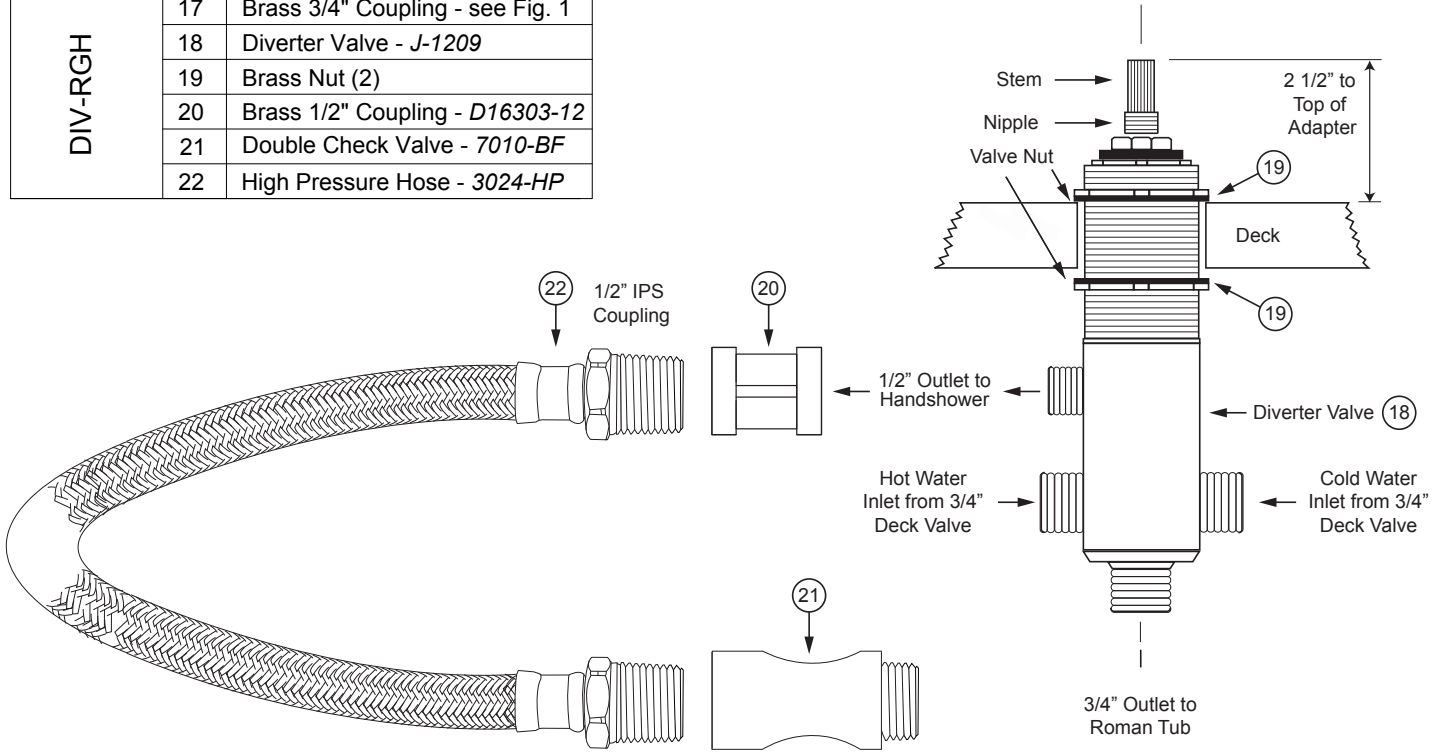
6. Remove upper body nut (14) and fiber washer (15).
7. Install Valve assemblies from under deck and replace top nut and washer. Refer to **Figure 4** for various handle/ stem length. The top nut and washer will be replaced by escutcheon provided with trim.
8. Connect side outlet of hot and cold valve to Tee (16) by hose, or piping

****NOTE**** WHEN USING THE J-6912-DIV-RGH, TEE (16) IS NOT USED, 3/4" COUPLING (17) IS SUPPLIED

INSTALLATION FOR DIVERTER & HANDSHOWER IF USED

COMPONENT PARTS		
DIV-TRIM	7	Handshower Base - 8029/8030
	8	Sleeve for Deck Mount - 8019
	9	Handheld - (Sold Separately)
	10	Hose - 3060-DS
DIV-RGH	17	Brass 3/4" Coupling - see Fig. 1
	18	Diverter Valve - J-1209
	19	Brass Nut (2)
	20	Brass 1/2" Coupling - D16303-12
	21	Double Check Valve - 7010-BF
	22	High Pressure Hose - 3024-HP

FIG. 2



FOR ILLUSTRATION PURPOSES ONLY (STYLES VARY)

FIG. 3



INSTALLATION FOR DIVERTER & HANDSHOWER IF USED (CONTINUED)

1. Drill 1-1/2" hole in desired location for diverter. Maximum deck thickness is 2-1/4" for diverter only. Roman tub spouts and valves may differ and must be checked.
 2. Remove top valve nut **(19)** from valve (retain for temporary install until trim is installed).
 3. Thread bottom valve nut **(19)** all the way down diverter valve **(18)**.
 4. Slide valve (from underneath) through deck and temporarily install top valve nut to keep in position until Trim is ready for installation (approximately 2-1/4" from top of spline to deck). Hand tighten.
 5. Secure 1/2" coupling **(20)** to outlet on valve (as indicated)
 6. Secure high pressure hose **(22)** to 1/2" coupling.
 7. Connect double check valve **(21)** to high pressure hose.
 8. Connect Hot and Cold water supplies to diverter valve as shown.
- ** MAKE SURE ANY SOLDER CONNECTIONS ARE AT LEAST 1-1/2" AWAY FROM VALVE BODY****
9. Connect bottom of diverter valve to spout connection.

TRIM INSTALLATION

HANDLES

1. Install as per **Figure 4**, various handles have different stem measurements.

DIVERTER HANDLE

2. Install as per **Figure 4**, various handles have different stem measurements.

HANSHOWER & HOSE

3. Install sleeve for deck mount (**8**) by drilling 1-1/4" hole in deck. Remove bottom brass nut and metal washer, drop in mount from above deck (rubber washer between mount and deck) and secure with washer and nut.
4. Attach nut end of hose (**10**) to double check valve (**21**). *ENSURE WASHERS ARE IN PLACE*
5. Put hose through deck mount (**8**) and attach handshower base (**7**).
6. Attach handshower to handshower base.

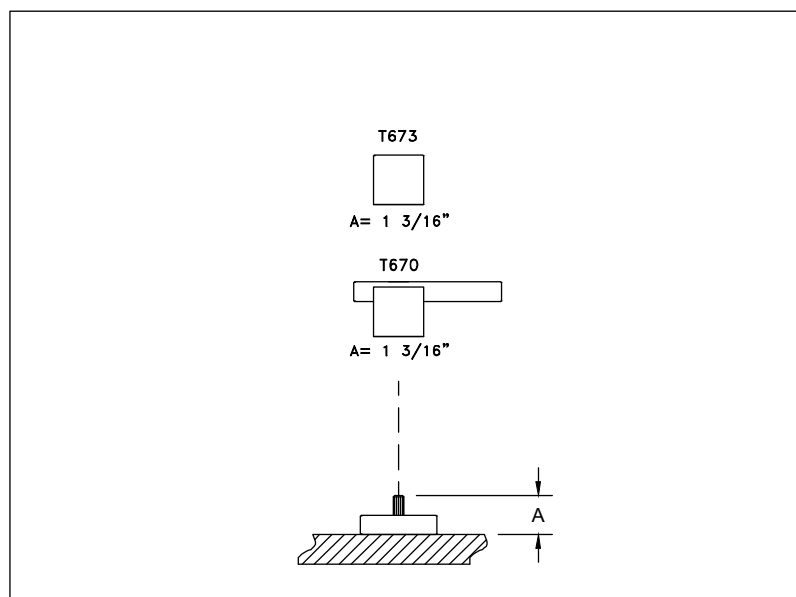


FIG. 4

Over Fifty Years of Excellence Proud to be an American Company



CARE INSTRUCTIONS

In order to maintain the high quality finish of JACLO products, please adhere to the following product care instructions:

Cleaning JACLO products: For routine cleaning, simply use a soft damp cloth and common household soap, then rinse and dry. Proper care of your product is important because most water contains calcium that deposits on surfaces, forming unpleasant spots. This can be avoided by routine cleaning and drying after every use. Use only mild soap detergents. JACLO products may be periodically waxed with non abrasive compounds, such as Flitz® faucet wax.

Never use abrasive cleaners, bleach, disinfectants or cleaning products containing alcohol, ammonia, hydrochloric or phosphoric acids as they will damage the product finish.

Please note: Your product warranty may not be valid if the above cleaning guidelines are not followed.

WARRANTY

Residential Warranty: Your new plumbing fixture is warranted by JACLO INDUSTRIES, 129 Dermody Street, Cranford, NJ 07016. This warranty is extended to original consumer purchasers only. This warranty gives you specific legal rights, and you may also have other rights which vary from state to state.

The product (including the finish on the product but excluding any custom finishes and any installation hardware not supplied by JACLO) is warranted to be free from defects in material or workmanship under normal use and service for the lifetime* of the fixture, so long as the original consumer purchaser owns it. JACLO's sole obligation under this or any other warranty is limited to repairing or replacing at JACLO's option, without labor, any part or parts of the fixture which fail to conform to such warranty.

JACLO WILL NOT BE LIABLE FOR ANY CONSEQUENTIAL OR INCIDENTAL DAMAGES CAUSED BY A BREACH OF THIS OR ANY OTHER WARRANTY.

Some states do not allow the exclusion of limitation of incidental or consequential damages, so the above limitation may not apply to you.

To secure warranty performance, the original consumer purchaser must have the fixture properly and professionally installed in accordance with all codes and installation instructions.

Items and actions that will void the JACLO warranty are:

- Abuse, misuse, neglect and accidental damage
- Improper cleaning, care and maintenance of the fixture
- Alteration of the fixture in any way including removal of a flow regulator/restrictor

All warranty claims must be made in accordance with the JACLO return policy (see below).

JACLO does not authorize any distributor, retailer or other person to modify this warranty or assume any liability on its behalf with respect to it. Any question regarding the operation of warranty should be addressed to JACLO's warranty department.

*Due to the unpredictable environment, all kitchen drains, strainers and garbage disposal flanges are warranted for the period of one year from date of purchase from an authorized JACLO dealer.

Un-lacquered Brass (ULB) is a living finish and is excluded from any finish warranty.

Commercial Warranty: JACLO offers the above warranty for a period of one year from date of purchase to purchasers of products for industrial, commercial, business and all non-private residential uses.

