

# 148-10-123

## Quantum®

Elongated Front, SmartHeight™, Vitreous China, Two-Piece Toilet



### Features

- High Performance, Pressure-Assist Flushmate III™ Flushing Technology
- 1.6 Gpf / 6.0 Lpf
- Elongated front SmartHeight™ (16-1/2") bowl
- 10" rough-in
- 2-1/8" glazed trapway
- Trip Levers
  - Model 45 Left Hand, Chrome-Plated Metal
  - Model 49 Right Hand, Chrome-Plated Metal
  - Model 47 Chrome-Plated Plastic Push Button Actuator
- The Mansfield® limited lifetime warranty
- Available in White and Standard Colors: Biscuit and Bone





Elongated Front



Model 148-10-123  
Toilet seat not included

### Components

Model #	Description	Codes/Standards
148-10-123	Elongated front two-piece, pressure-assist toilet. Less toilet seat and supply. Specify color. ADA Compliant.	 
148-10	Elongated toilet bowl only. Less toilet seat and supply. Specify color.	
123	Pressure-assist tank and cover only with left hand, chrome-plated metal trip lever. Less supply. Specify color.	
123RH	Same as model 123, except with right hand trip lever.	
122	Same as model 123, except with chrome-plated, plastic push button actuator.	



**MADE IN USA**



# 148-10-123

## Quantum®

Elongated Front, SmartHeight™, Vitreous China, Two-Piece Toilet

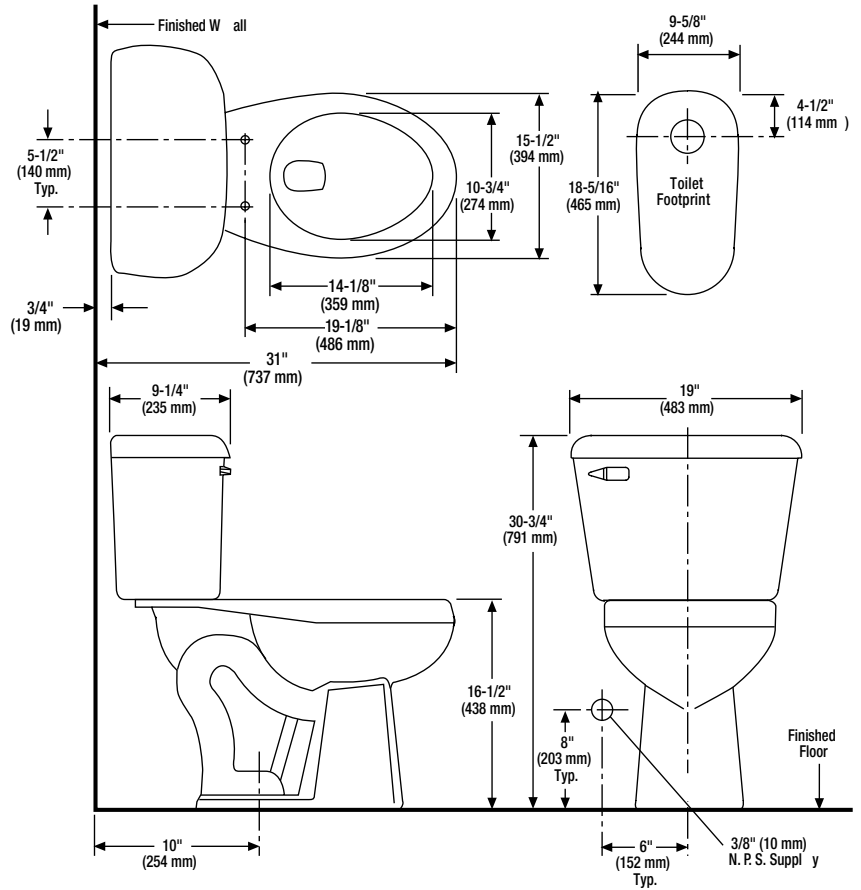


### Specifications

Model #	Description	Codes/Standards
148-10-123	Elongated front, SmartHeight™ (1.6 gpf/6.0 lpf) two-piece toilet	 

Specification	Description	Specification	Description
Material	Vitreous China	Trap Diameter	2-1/8"
Water Pressure Range	35 to 80 PSI	Trap Seal	2-5/8"
Flush System	Flushmate III™ pressure assist vessel	Shipping Weight	Model 148-10 - 50 lbs. (22.6 kg)
Water Usage	1.6 gpf / 6.0 lpf		Model 122/123/123RH - 43 lbs. (19.5 kg)
Water Surface Area	11" X 12"	Warranty	Vitreous China - Limited Lifetime
Rough-in	10"		Tank Trim - Limited One Year

### Technical Information



See our complete line of acrylic and vitreous china bathroom fixtures, plastic tank trim and plumbing products.

These dimensions are nominal and subject to change without notice.

Fixture performance and specifications meet or exceed ASME A112.19.2-2008/CSA B45.1-08 standards, and other state and local codes.



**MADE IN USA**