

Home Care Technical Specification

Grab Bar with Toilet Paper Holder

LR2352D

Stock Numbers:

LR2352DBN – Grab Bar with Integrated Paper Holder
Brushed Nickel

LR2352DOWB – Grab Bar with Integrated Paper Holder
Old World Bronze

LR2352DCH – Grab Bar with Integrated Paper Holder
Chrome

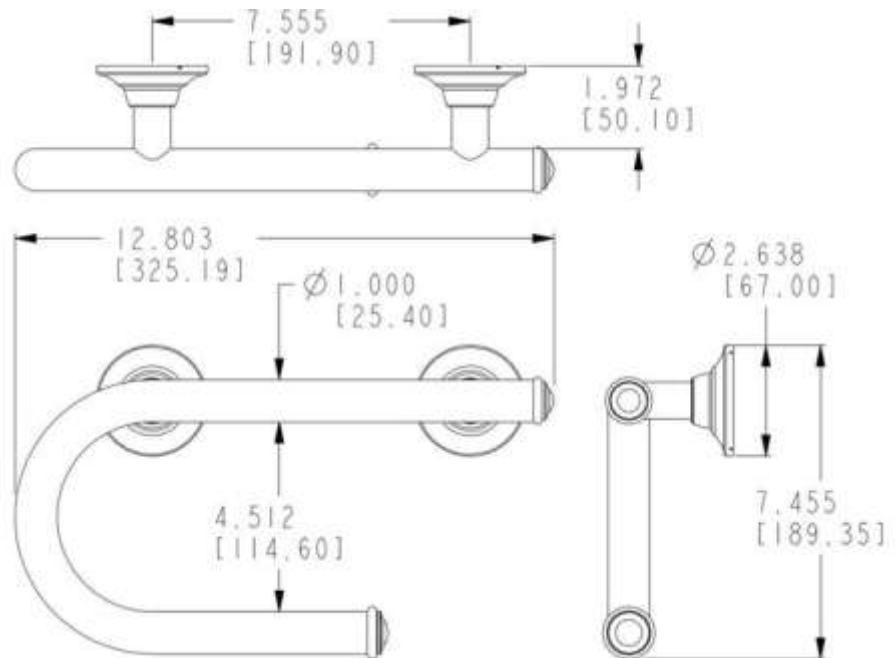
Materials:

Grab Bar is made from Stainless Steel Construction. SecureMount anchors are made of POM.

Compliance:

- Tested to 250 lbs. Weight Capacity

Dimensions:



Stock Number: _____ Grab Bar with Integrated Toilet Paper Holder By Creative Specialties

25300 AL MOEN DRIVE • NORTH OLMSTED, OH 44070
CORPORATE HEADQUARTERS: (800) 321-8809 • FAX: (800) 848-6636
INTERNATIONAL: (440) 962-2000 • FAX: (440) 962-2726
CUSTOMER SERVICE (USA): 800-882-0116 • FAX: (888) 379-2720
WWW.MOEN.COM

©Copyright Creative Specialties International

Literature #BA1667