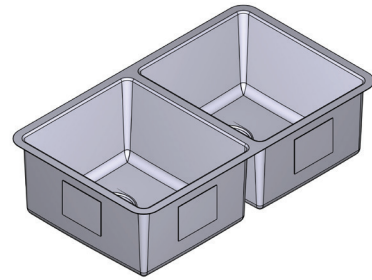


Model Number	Faucet Holes	Depth-Inches	Drain Placement	ADA/FHA Compliant
GS18259B	N/A	9"	Rear (Center)	No
GS18260B	N/A	5-1/2"	Rear (Center)	ADA/FHA



SINK DESCRIPTION

- Double bowl undermount sink
- 18 gauge stainless steel, brushed finish
- Undermount hardware included
- SoundSHIELD™ sound absorbing system

WARRANTY

- Lifetime limited warranty to the original homeowner
- 10 year limited warranty when used in a Multi-family installation
- 5 year limited warranty when used in a Commercial installation
- Visit www.moen.com/customer-support/warranty for complete details and limitations

SINK DIMENSIONS

- Minimum Cabinet Size: 36"
- Overall: 31-13/16" x 18-1/2"
- Left Bowl: 14-3/8" x 16-1/2"
- Right Bowl: 14-3/8" x 16-1/2"
- Drain Size: 3-1/2"
- Sink Radius: R20

CUT OUT DIMENSIONS

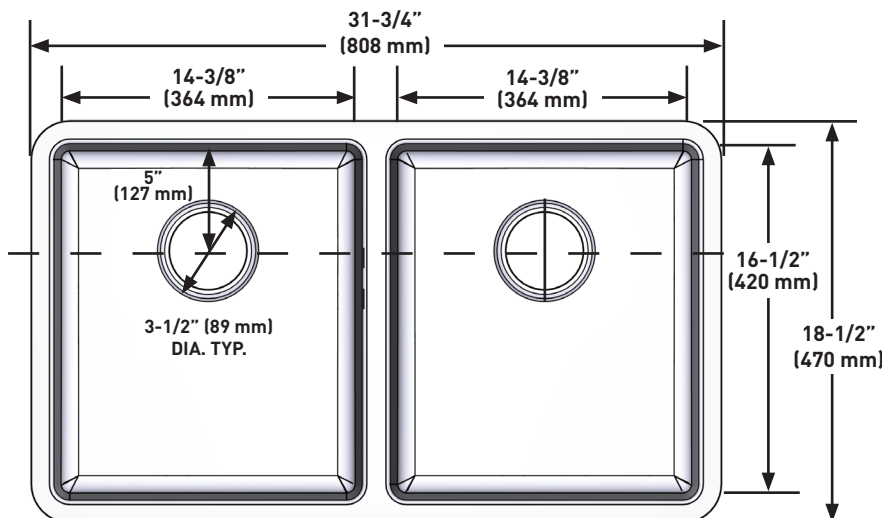
- Cut out template included

STANDARDS

- Third party certified to meet ASME A112.19.3/CSA B45.4 and all applicable specifications referenced therein
- *ADA/FHA Sink compliant to ADA (ICC A117.1) and FHA accessibility specifications when installed to these required standards. Always consult with your local building department for the specific installation requirements.

CRITICAL DIMENSIONS

(DO NOT SCALE)



Installation Detail

