

Dream Package®

Innovation, luxury, and ease are at the core of MrSteam’s flagship Dream Package. All the components of an exquisite steam system combine to create the convenience and comfort of a home spa retreat.

BOX CONTENT

MS iDREAM PACKAGE

For models MS90 to MSSUPER3

- iSteamX Touch Control
- Matching iSteam Steamhead
- SteamLinX
- AutoFlush®
- Condensation Pan
- AromaSteam Oil Delivery System
- ChromaSteamX Mood Lighting System
- Audio@Home Sound System
- Pair of In-shower MusicTherapy® Square Speakers
- Liter Eucalyptus Oil

MAX iDREAM PACKAGE

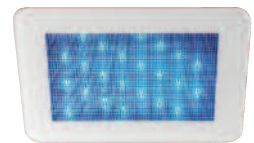
For model MX4, MX5 and MX6.

Same as iDream Package except with an additional Steamhead, MX AutoFlush, and Condensation Pan.

NOTE: When ordered with the Linear Steamhead, standard steamhead(s) are replaced with 104480 Linear Steamhead(s).



SteamLinX Mobile App



FOR ILLUSTRATIVE PURPOSES ONLY. IMPORTANT NOTE: FOR SAFE AND TROUBLE FREE INSTALLATION

visit mrsteam.com before installation to download the Installation, Operation and Maintenance Manual or refer to the manual provided with the unit.

MODEL	FINISH	PROJECT INFORMATION	
<input type="checkbox"/> MS/Super	<input type="checkbox"/> Black	Location:	Contractor:
<input type="checkbox"/> MX	<input type="checkbox"/> White	Architect:	Submitted By:
OPTIONS: <input type="checkbox"/> Linear Steamhead		Engineer:	Date:
Notes:			

Dream Package

Technical Specifications

Control

iSteamX Control	TS0090	01-23
-----------------	--------	-------

SteamHead

(standard) AromaSteam SteamHead	TS0010	05-22
---------------------------------	--------	-------

(option) Linear Steamhead	TS0085	05-22
---------------------------	--------	-------

Accessories

SteamLinx	TS0077	23-May
-----------	--------	--------

Audio @ Home	TS0075	05-22
--------------	--------	-------

Square Speakers	TS0005	05-22
-----------------	--------	-------

ChromaSteamX System	TS0091	01-23
---------------------	--------	-------

AromaSteam System	TS0039	05-22
-------------------	--------	-------

Condensation Pan	TS0012	05-22
------------------	--------	-------

AutoFlush

(MS & Super) MS / Super AutoFlush	TS0011	05-22
-----------------------------------	--------	-------

(MX) MX AutoFlush	TS0081	05-22
-------------------	--------	-------

iSteam®X

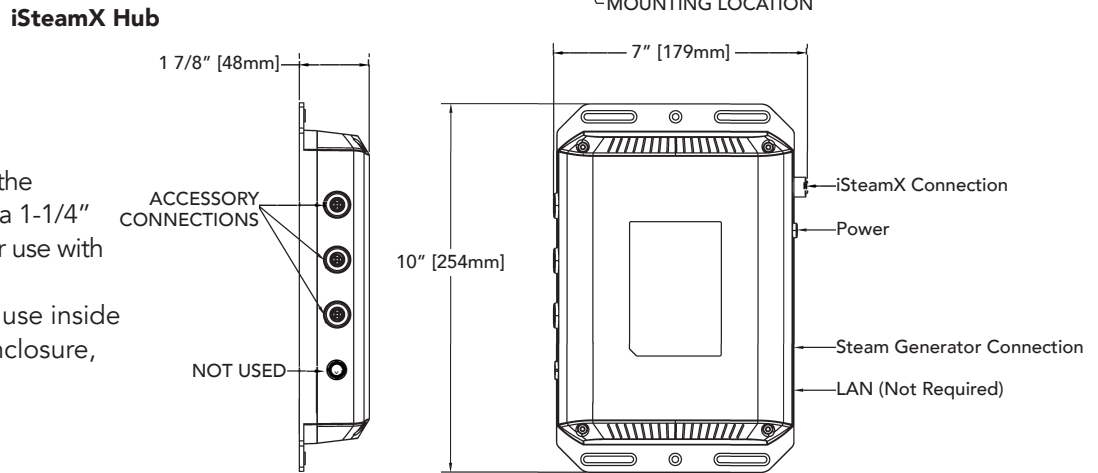
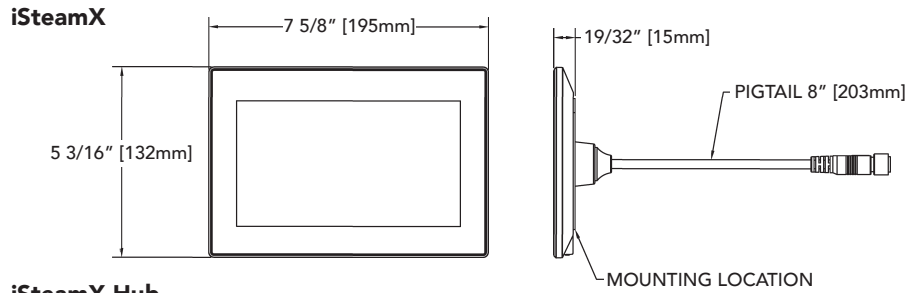
Dimensional Information

Box Contents:

- iSteamX
- Owner's Manual
- Control Cable (30 ft. (9m))
- Steamhead
- iSteamX Hub
- iSteamX Cable
- iSteamX Hub Power Supply (w/Integral 5ft [1.5m] Cable)
- Tube of Silicone Sealant

iSteam controls surface mount in the steam/shower enclosure through a 1-1/4" [32mm] hole. They are suitable for use with SteamLinX™ mobile app control. iSteam controls are suitable for use inside or outside the steam/shower enclosure, featuring:

- Full color LCD touch screen
- Programmable temperature
- Programmable time
- Eight user profiles
- Eight user presets per profile
- AromaSteam, ChromaSteam and Audio controls
- Passcode to prevent unintentional use of steam bath
- Includes AromaSteam Steamhead in white or black
- Compatible with SteamLinX
- Low voltage operation
- Popular music and video apps pre loaded



The iSteam controls are designed to be installed inside or outside the steam room but is primarily installed inside the steam room. If the control is installed inside the steam room the control must be located:

- 4-5 ft. (1.2 – 1.5m) above the floor
- In a location representative of the desired steam bathing temperatures near the bather seating area. Do not locate the control above or near the steamhead or direct steam emissions.
- On a vertical wall

The control cable and the hub cable length are 30 ft. (9m) each. Insure that the control and/or steam generator are located accordingly. An optional 60 ft. (18m) cable versions are available if required. If the control is installed outside the steam room a Remote Temperature Probe Part Number MST5 must be installed inside the steam room.

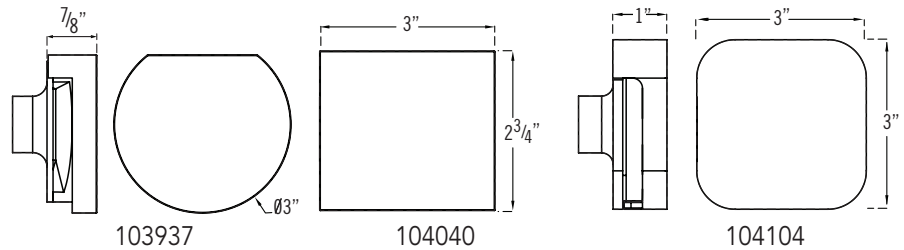
MODEL	COLOR	PROJECT INFORMATION	
iSeamX	<input type="checkbox"/> BK= Black	Location:	Contractor:
	<input type="checkbox"/> WH= White		
	FINISH		
	<input type="checkbox"/> BB= Brushed Bronze	Architect:	Submitted By:
	<input type="checkbox"/> BN= Brushed Nickel		
	<input type="checkbox"/> MB= Matte Black		
	<input type="checkbox"/> OB= Oil Rubbed Bronze		
	<input type="checkbox"/> PB= Polished Brass	Engineer:	Date:
	<input type="checkbox"/> PC= Polished Chrome		
	<input type="checkbox"/> PN= Polished Nickel		
<input type="checkbox"/> SB= Satin Brass			

Notes:

AromaSteam Steamhead

Round 103937, Square 104040, 104104

- Even distribution of steam while remaining cool to the touch
- No field assembly required
- No moving parts
- Integrated aromatherapy oil well for in shower use



Round & Square Steamhead Installation (1/2" NPT)

IMPORTANT: Do not disassemble steamhead. MrSteam's steam head is shipped fully assembled and requires no additional assembly.

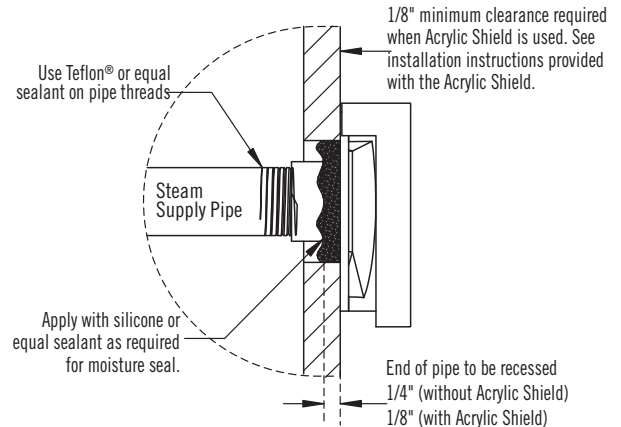
CAUTION Because the steamhead and direct steam emissions are very hot, locate the steamhead where incidental contact by bather with the steamhead or direct steam emission cannot occur.

NOTE: A 1.5" clearance hole around the steam pipe is needed to mount the steamhead.

Locate steamhead 6-12 inches above floor, except for:

- Tub/shower enclosures, install 6 inches above tub top edge.
- For enclosures with acrylic or other non-heat resistant flooring install Acrylic Shield Part Number 103938/10398SQ

IMPORTANT NOTE: To preserve steamhead finish, do not use wrench or other tools to tighten. DO NOT use abrasive cleansers or chemicals. Use only water with mild soap and a non-abrasive sponge.



CAUTION Consult with supplier of acrylic, fiberglass and other non-heat resistant enclosures for recommended steamhead location. Use Acrylic Shield PN 103938/103938SQ. See instructions provided with steam shield. (An acrylic shield is not available for the iSteam steamhead.)

FOR ILLUSTRATIVE PURPOSES ONLY. IMPORTANT NOTE: FOR SAFE AND TROUBLE FREE INSTALLATION visit mrsteam.com before installation to download the Installation, Operation and Maintenance Manual or refer to the manual provided with the unit.

MODEL	FINISH**	PROJECT INFORMATION
<input type="checkbox"/> 103937-Round	<input type="checkbox"/> BB Brushed Bronze	Location:
<input type="checkbox"/> 104040-Square	<input type="checkbox"/> BN Brushed Nickel	Architect:
<input type="checkbox"/> 104104*	<input type="checkbox"/> ORB Oil Rubbed Bronze	Engineer:
	<input type="checkbox"/> PB Polished Brass	Contractor:
	<input type="checkbox"/> SB Satin Brass	Submitted By:
	<input type="checkbox"/> PC Polished Chrome	Date:
	<input type="checkbox"/> PN Polished Nickel	Notes:
	<input type="checkbox"/> BLK Black***	
	<input type="checkbox"/> WH White***	
	<input type="checkbox"/> MB Matte Black	
	<input type="checkbox"/> RAW Custom Plating	

* 104104 Steamhead is used for AirTempo, iSteam and black/white facia iTempo and iTempoPlus.

** For AirTempo select black or white with a decorative finish

***iSteam, black/white fascia iTempo and iTempoPlus are provided with matching glass face and chrome trim only.

Linear Steam Head®

TS0085

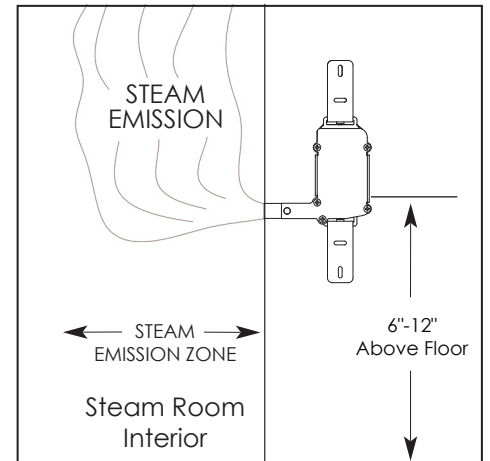
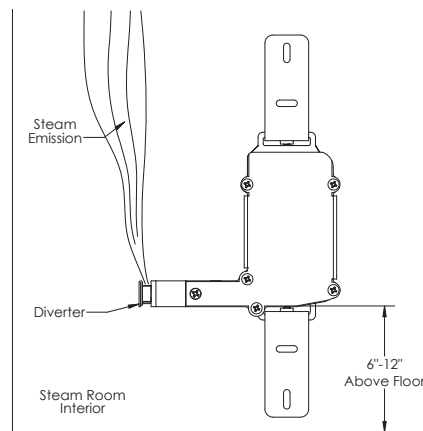
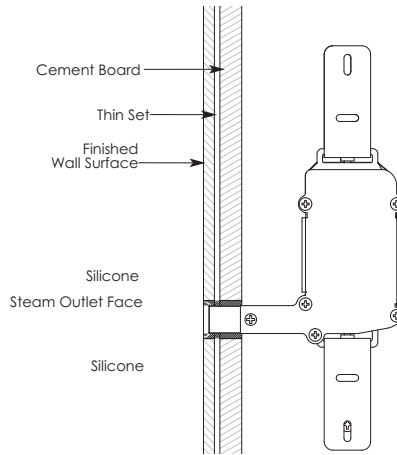
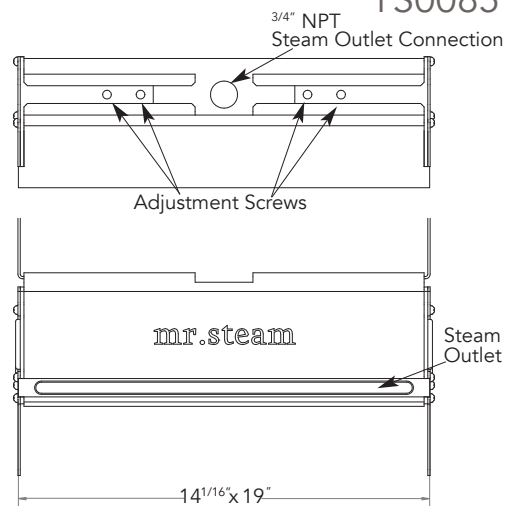
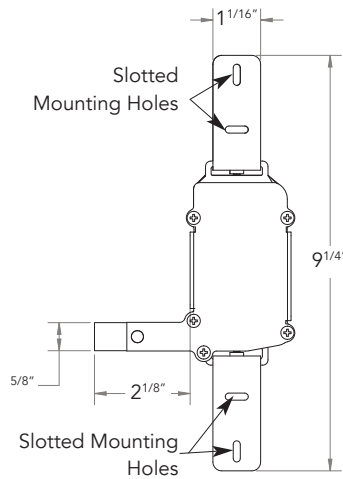
- Quiet, even distribution of steam
- No field assembly required
- Finished Look
- No moving parts
- Minimal profile
- Aroma Feature

Linear Steamhead Installation:
(3/4" NPT)

IMPORTANT: Do not disassemble steamhead. MrSteam's steamhead is shipped fully assembled and requires no additional assembly. Locate steamhead 6-12 inches above floor, except for tub/shower enclosures; install 6 inches above tub top edge.

CAUTIONS Because the steamhead and direct steam emissions are very hot, locate the steamhead where incidental contact by bather with the steamhead or direct steam emission cannot occur.

- Linear Steam Head model 104480 is suitable for MrSteam generator models MS90-400, MSSUPER1-3 and MX4-MX6.
- Two 104480 linear steamheads must be used for models MX4, 5 & 6.
- Using model 104480 for any steam generator model larger than the MX6, or for any non MrSteam brand generators may result in an improper installation or hazardous condition.
- For residential use only.
- Install in a upright orientation only. Installation in a any other orientation may concentrate the steam and result in excessive temperatures.



Generator Model	Number of Linear Steam Heads	Steam Emission Zone
MS90-MS400	1	18"
Super1-Super3	1	24"
MX4-MX6	2	24"

FOR ILLUSTRATIVE PURPOSES ONLY. IMPORTANT NOTE: FOR SAFE AND TROUBLE FREE INSTALLATION
visit mrsteam.com before installation to download the Installation, Operation and Maintenance Manual or refer to the manual provided with the unit.

MODEL	PROJECT INFORMATION	
104495 for , MX5 and MX6	Location:	Contractor:
<input type="checkbox"/> BB <input type="checkbox"/> BN <input type="checkbox"/> MB <input type="checkbox"/> ORB	Architect:	Submitted By:
<input type="checkbox"/> PB <input type="checkbox"/> PC <input type="checkbox"/> PN <input type="checkbox"/> SB	Engineer:	Date:
Notes:		

Linear Steam Head®

TS0085

Accessories

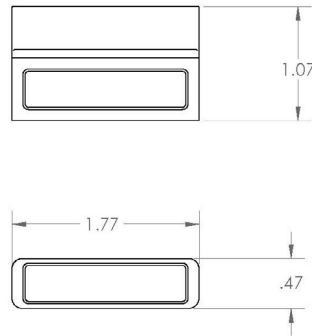
CAUTIONS because the Steam Head, Faceplate, Diverter, AromeTray, Escutcheon, Finished Diverter, and direct steam emission are very hot, locate the Steam Head, Faceplate, Diverter, AromeTray, Escutcheon, Finished Diverter where incidental contact by bather or direct steam emission cannot occur.

Included Accessories

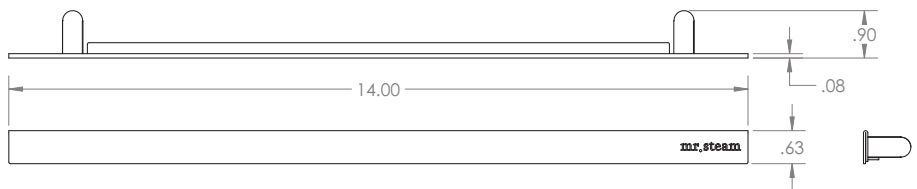
Faceplate



AromaTray
(Black Chrome Finish Only)

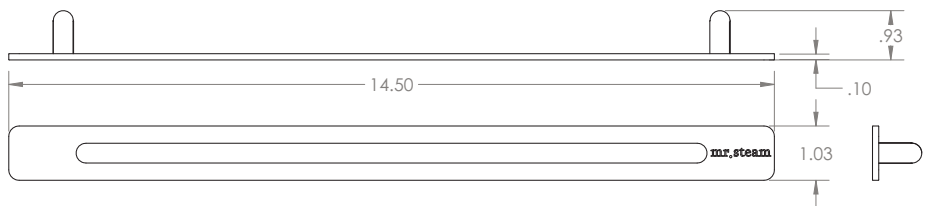


Diverter
(Stainless Steel Finish Only)

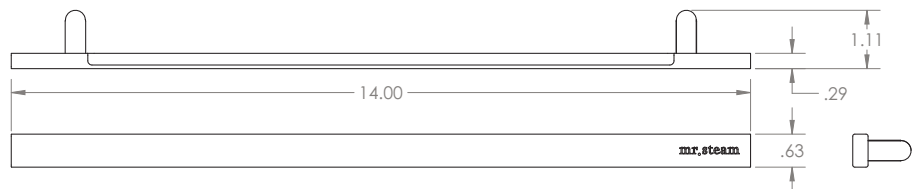


Optional Accessories

Escutcheon



Diverter - Finished



- BB
- BN
- MB
- ORB
- PB
- PC
- PN
- SB

NOTE: Drawings are for illustrative purposes only. Consult with qualified designer, architect or contractor for steam room construction.

TS0085 Rev 5.22

SteamLinx™

BOX CONTENT

- SteamLinx Generator Module
- SteamLinx Router Module
- 6 foot Ethernet Cord
- Power Adapter

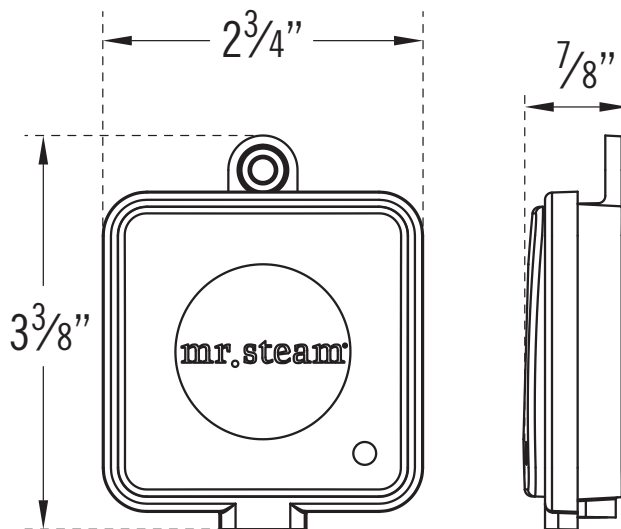
SteamLinx

Introducing the latest Mobile Steam Room Technology, the SteamLinx Mobile System. SteamLinx allows for seamless control of essential steam room functionality using your smart phone or mobile device.

Included in all Dream & Butler Packages.

Works with all MrSteam Controls

App available for download from Google Play and the App Store



FOR ILLUSTRATIVE PURPOSES ONLY.

IMPORTANT NOTE: FOR SAFE AND TROUBLE FREE INSTALLATION visit mrsteam.com before installation to download the Installation, Operation and Maintenance Manual or refer to the manual provided with the unit.

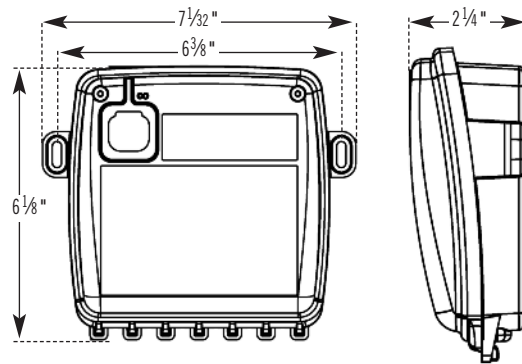
MODEL	PROJECT INFORMATION	
SteamLinx	Location:	Contractor:
	Architect:	Submitted By:
	Engineer:	Date:
Notes:		

Audio@Home

The MusicTherapy® sound system is the perfect way to introduce music into your steam room or shower. The MusicTherapy is easy to install and is compatible with many audio sources such as portable music players and smart phones equipped with Bluetooth®.

Just pair your iSteamX's Bluetooth® device and start playing your favorite music.

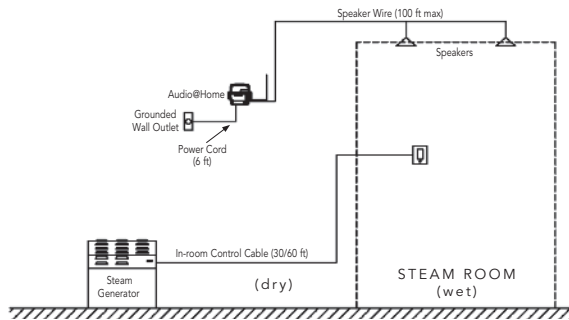
Dimensions



! WARNING DO NOT connect speaker ground wires together.
DO NOT bridge channels

Locating the Audio@Home

- The Audio@Home has a 6 ft. power cord.
- Locate in a dry location where the wireless signal will not be interrupted.
- Test Bluetooth® signal before mounting Audio@Home



! WARNING ELECTRIC SHOCK HAZARD!

To reduce the risk of fire or electric shock, do not expose this apparatus to rain or moisture. DO NOT install AudioSteam in the steam room or any location where it may become wet.

Environmental Ratings

Operating temperature: -4 °F to 140 °F
Storage temperature: -22 °F to 185 °F
Humidity: 70% max
Water resistance: IPX5

Mechanical

Weight: 3.6lb
Dimensions (W x H x D): 9.81" x 2.58" x 8.88"

Line Input

Input Voltage: 100-240 VAC 50-60Hz

Maximum voltage: 2.2 Vpp

Impedance: 100 Kohms

Audio Outputs

Max number of speakers: 2

Audio Amplifier Type: Class D

Output Power (speaker): 25 WRMS, 50W PEAK Output

Power (subwoofer): 50 WRMS, 100W PEAK Output

Impedance (speaker): 4-8 Ohm

Output Impedance (subwoofer): 2-4 Ohm Harmonic

Distortion (speaker): 0.015% at 1W (1KHz) Harmonic

Distortion (subwoofer): 0.015% at 1W (100Hz)

Frequency response (speaker): 5Hz to 20 KHz F

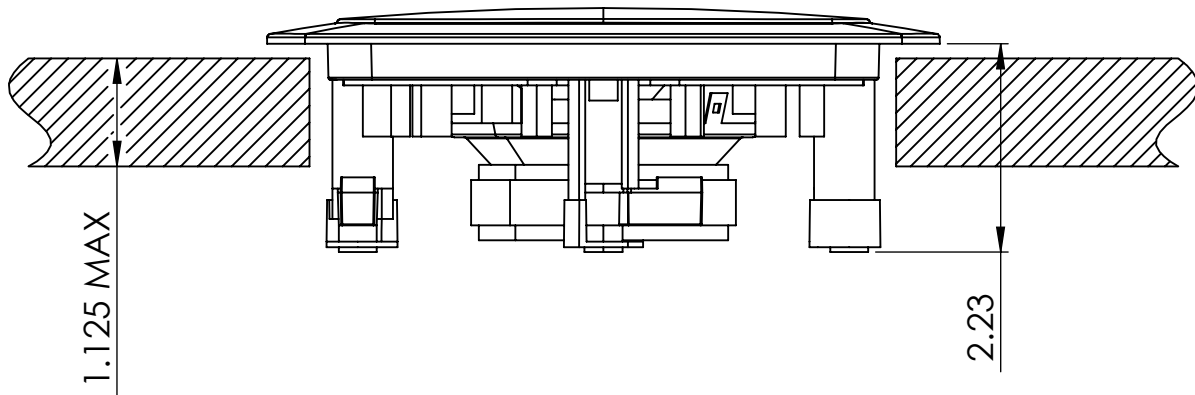
Frequency response (subwoofer): 10Hz to 200 Hz

FOR ILLUSTRATIVE PURPOSES ONLY. IMPORTANT NOTE: FOR SAFE AND TROUBLE FREE INSTALLATION visit mrsteam.com before installation to download the Installation, Operation and Maintenance Manual or refer to the manual provided with the unit.

MODEL	PROJECT INFORMATION	
MSAH	Location:	Contractor:
	Architect:	Submitted By:
	Engineer:	Date:
Notes:		

MusicTherapy® Speakers, Round & Square

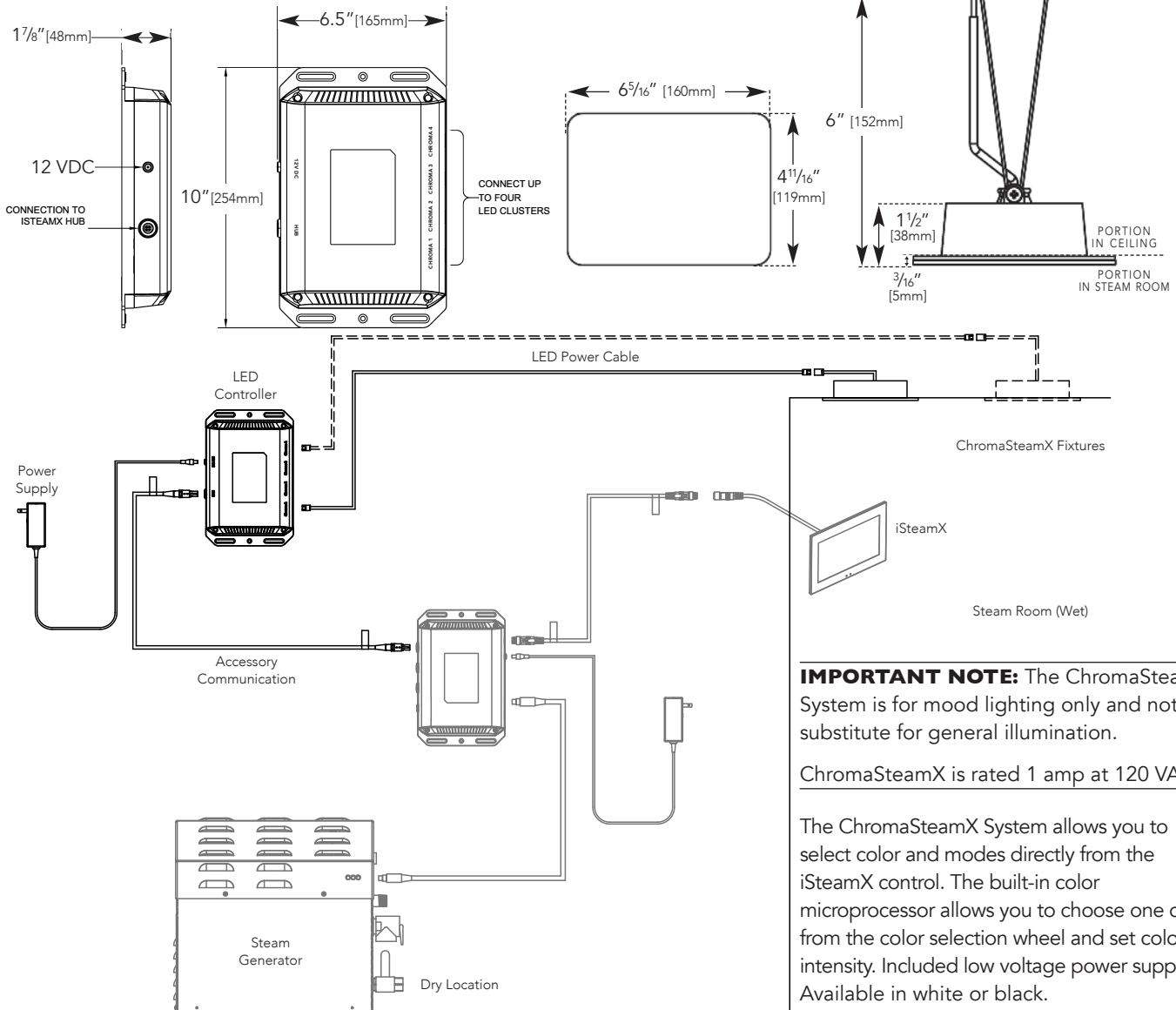
- Designed for use inside or outside the shower enclosure
- Ceiling, flush mount
- Square: 7.06" x 7.06" Round: 6.5" diameter
- Maximum ceiling thickness: 1.125"
- Ceiling depth: 2.23"
- Two-way marine-grade speakers, polypropylene cones
- ABS frames with white powder-coated grills
- Suitable for most sources of audio input
- Rated 60W peak power with full range sound
- 30 watts RMS and 8 ohm impedance
- For use in any shower



FOR ILLUSTRATIVE PURPOSES ONLY. IMPORTANT NOTE: FOR SAFE AND TROUBLE FREE INSTALLATION visit mrsteam.com before installation to download the Installation, Operation and Maintenance Manual or refer to the manual provided with the unit.

MODEL	SHAPE	FINISH	PROJECT INFORMATION	
MS Speakers	<input type="checkbox"/> RD Round	<input type="checkbox"/> BK Black	Location:	Contractor:
	<input type="checkbox"/> SQ Square	<input type="checkbox"/> WH White	Architect:	Submitted By:
			Engineer:	Date:
Notes:				

ChromaSteamX® ChromaSteamX is only for use with iSteamX



IMPORTANT NOTE: The ChromaSteam System is for mood lighting only and not a substitute for general illumination.

ChromaSteamX is rated 1 amp at 120 VAC

The ChromaSteamX System allows you to select color and modes directly from the iSteamX control. The built-in color microprocessor allows you to choose one color from the color selection wheel and set color intensity. Included low voltage power supply. Available in white or black.

For mood lighting only.

FOR ILLUSTRATIVE PURPOSES ONLY.

IMPORTANT NOTE:
FOR SAFE AND TROUBLE FREE INSTALLATION visit mrsteam.com before installation to download the Installation, Operation and Maintenance Manual or refer to the manual provided with the unit.

BOX CONTENTS

MSCHROMAX includes:

- (1) Light Fixture
- (1) LED Controller
- (1) Tube of Silicone
- (1) 30ft. LED Power Cable
- (1) Rough-in Box
- (1) Installation and Operation Manual
- (1) Accessory Communication Cable

MSCHROMAXDUO includes:

- (2) Light Fixtures
- (1) LED Controller
- (2) Tubes of Silicone
- (2) 30 ft. cables
- (2) Rough-in Boxes
- (1) Installation and Operation Manual
- (1) Accessory Communication Cable

MODEL	BEZEL COLOR	PROJECT INFORMATION	
<input type="checkbox"/> MSCHROMAX	<input type="checkbox"/> BK Black	Location:	Contractor:
<input type="checkbox"/> MSCHROMAXDUO	<input type="checkbox"/> WH White	Architect:	Submitted By:
<input type="checkbox"/> MSCHROMA		Engineer:	Date:
<input type="checkbox"/> MSCHROMADUO			
Notes:			

AromaSteam

CONTENTS:

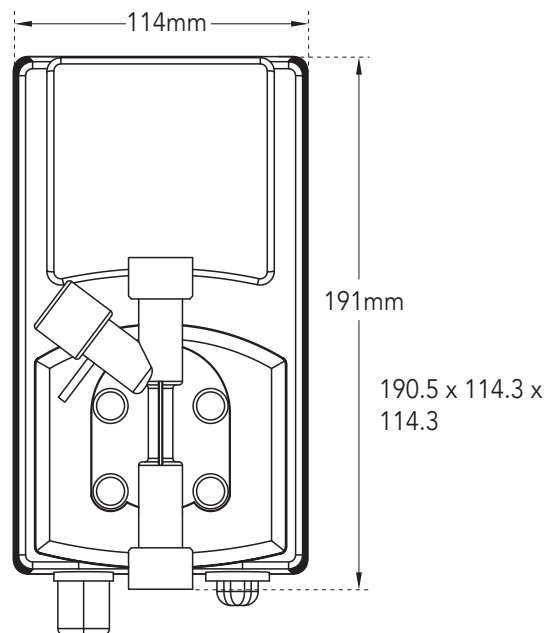
- 1.8m of pressure hose
- 0.6m of suction hose
- Filter
- Atomizing Nozzle
- Installation and Operation Manual

- Electronic oil delivery system evenly infuses scent into steam
- Complete with hoses, fittings and oil atomizer
- Can be controlled directly from an iSteam® or iTempoPlus®
- AromaSteam System oils available in one-liter bottles
- The AromaSteam is rated 0.5 Amps at 240 VAC

NOTE: AromaSteam is for use with iSteam® or iTempoPlus® only.

Mr. Steam offers special formulated & packaged oils for use with the AromaSteam in the following fragrances:

- MS OIL 1: Eucalyptus
- MS OIL 2: Lavender
- MS OIL 3: Evergreen
- MS OIL 4: Energizing Mint
- MS OIL 5: Breathe



Dimensions:	190.5 x 114.3 x 114.3
Weight:	5 pounds
Motor voltage	240 VAC, 50/60 Hz
Current Draw	0.5 Amps

!WARNING Not for use in acrylic or fiberglass rooms.

FOR ILLUSTRATIVE PURPOSES ONLY. IMPORTANT NOTE: FOR SAFE AND TROUBLE FREE INSTALLATION visit mrsteam.com before installation to download the Installation, Operation and Maintenance Manual or refer to the manual provided with the unit.

MODEL	PROJECT INFORMATION	
MS AROMA	Location:	Contractor:
	Architect:	Submitted By:
	Engineer:	Date:
Notes:		

AutoFlush®

Box Contents

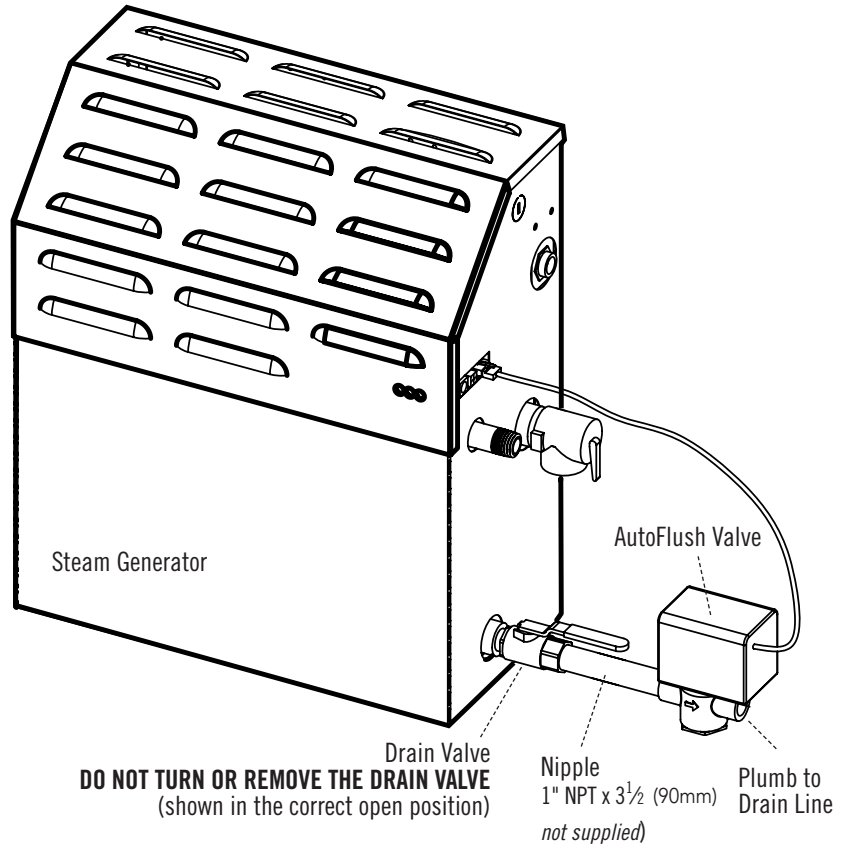
- AutoFlush Valve with Cord
- Installation instructions

Operation

The optional AutoFlush System feature automatically drains the MrSteam system following each use. A time delay allows the water to cool down (about two hours) before it drains by gravity for a safe and gentle operation.

Note: If the Express Steam® option has been installed, the AutoFlush will drain for ten minutes then refill with fresh water to begin the pre-heat cycle.

AutoFlush Shown Fully Assembled



Our exclusive AutoFlush automatically and electronically drains the system, providing CleanSteam... Every Time® and introduces fresh water.

FOR ILLUSTRATIVE PURPOSES ONLY. IMPORTANT NOTE: FOR SAFE AND TROUBLE FREE INSTALLATION visit mrsteam.com before installation to download the Installation, Operation and Maintenance Manual or refer to the manual provided with the unit.

MODEL	PROJECT INFORMATION	
MS 81500E	Location:	Contractor:
	Architect:	Submitted By:
	Engineer:	Date:
Notes:		

AutoFlush®

Box Contents

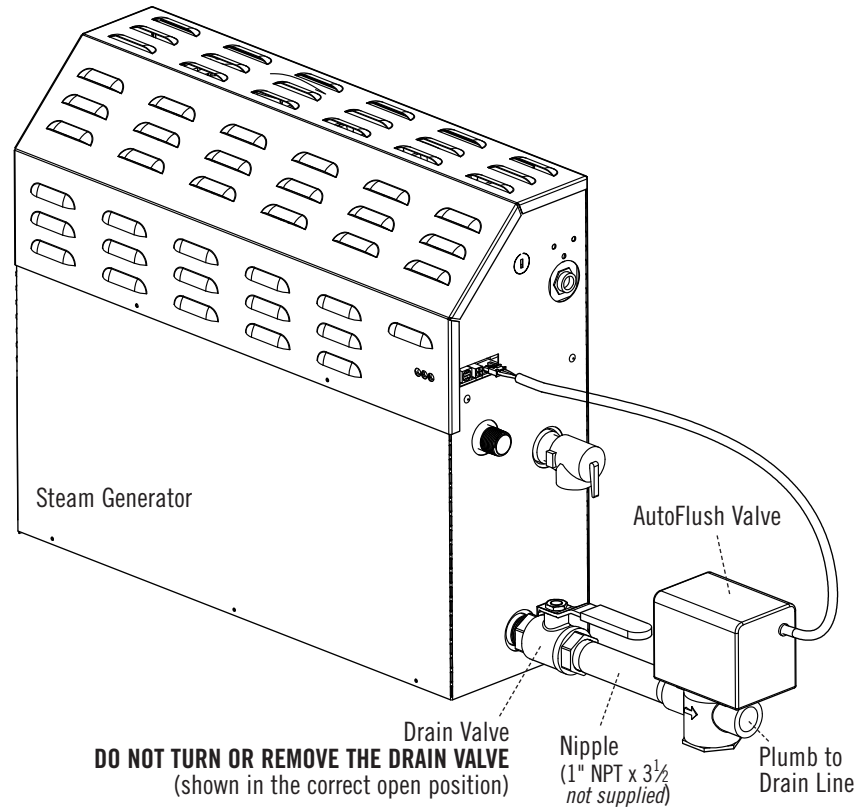
- AutoFlush Valve (1" NPT) with Cord
- Installation instructions

Operation

The optional AutoFlush System feature automatically drains the MrSteam system following each use. A time delay allows the water to cool down (about two hours) before it drains by gravity for a safe and gentle operation.

Note: If the Express Steam® option has been installed, the AutoFlush will drain for ten minutes then refill with fresh water to begin the pre-heat cycle.

AutoFlush Shown Fully Assembled



Our exclusive AutoFlush automatically and electronically drains the system, providing CleanSteam... Every Time® and introduces fresh water.

FOR ILLUSTRATIVE PURPOSES ONLY. IMPORTANT NOTE: FOR SAFE AND TROUBLE FREE INSTALLATION visit mrsteam.com before installation to download the Installation, Operation and Maintenance Manual or refer to the manual provided with the unit.

MODEL	PROJECT INFORMATION	
CT 81500	Location:	Contractor:
	Architect:	Submitted By:
	Engineer:	Date:
Notes:		

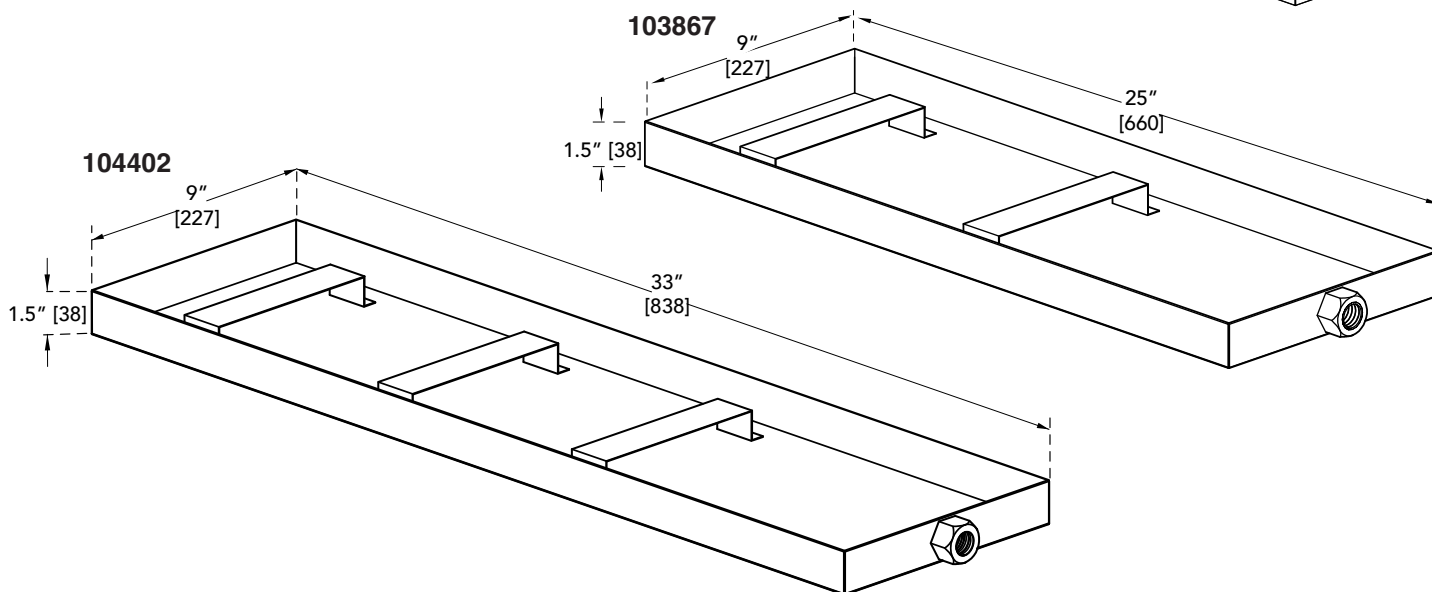
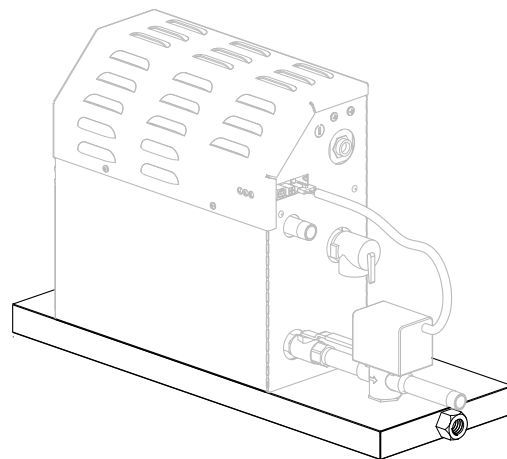
Condensation Pan

103867 & 104402

Mr.Steam strongly recommends the use of a condensation pan in the unlikely event of a plumbing leak.

Locate the condensation pan on a solid level surface and place the steam generator inside the condensation pan. Insure the steam generator is level.

All plumbing shall be performed by a qualified licensed plumber and in accordance with applicable national and local codes. Check local plumbing code for receptor, trap and vent requirements. Condensation pans drain by gravity. The condensation pan is equipped with an integral 3/4" NPT fitting.



NOTE: For MX4E, MX5E and MX6E use model 104402

FOR ILLUSTRATIVE PURPOSES ONLY. IMPORTANT NOTE: FOR SAFE AND TROUBLE FREE INSTALLATION visit mrsteam.com before installation to download the Installation, Operation and Maintenance Manual or refer to the manual provided with the unit.

MODEL	PROJECT INFORMATION	
<input type="checkbox"/> 103867	Location:	Contractor:
<input type="checkbox"/> 104402	Architect:	Submitted By:
	Engineer:	Date:
Notes:		