

E148

Model number:

103677

Dimensions: 48" x 37" x 79"

Installation: Alcove

Material: Acrylic



Standard Features:

- Left-, Right- and no-seat options
- Comfort height foot ledge
- Large shelving
- Center drain
- 6 in. threshold

Product characteristics:

- Made in North America
- Cast Acrylic
- One-Piece Unit

Warranty:

25 Years

Standard colors:



White (001)

Certifications

MAAX products adhere to one or more of the following certifications:



E148

Model number:

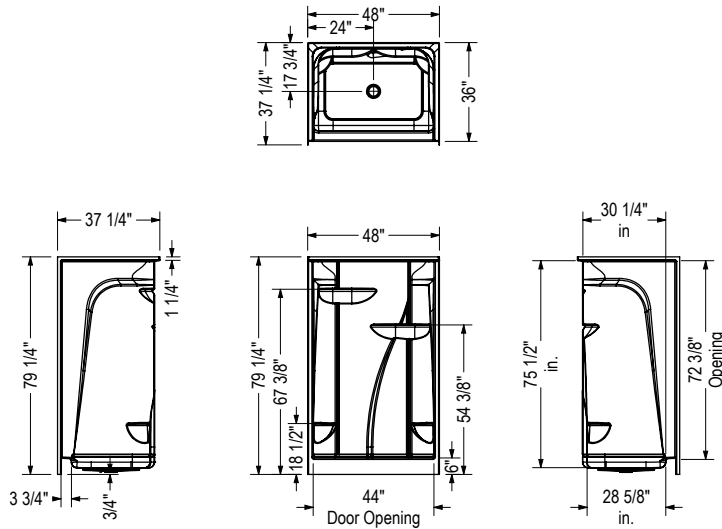
103677

Dimensions: 48" x 37" x 79"

Installation: Alcove

Material: Acrylic

STANDARD



Dimensions:

48 x 37 1/4 x 79 1/4 in.
(1219.2 x 946.15 x 2012.95 mm)

Weight:

154 lbs - 69.85 kg

Shape:

Rectangular

Pieces:

1

Drain location:

No seat, center drain

Left seat, center drain

Right seat, center drain

All dimensions are approximate. Structure measurements must be verified against the unit to ensure proper fit.

Project:

Contractor:

Representative:

Date:

Tel:

Notes: