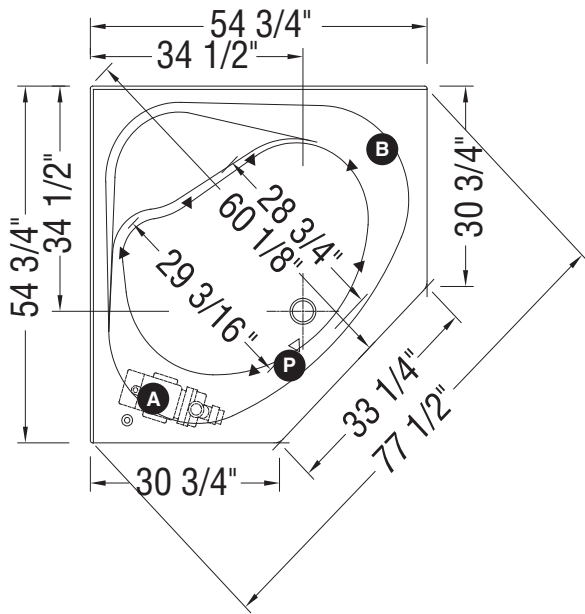
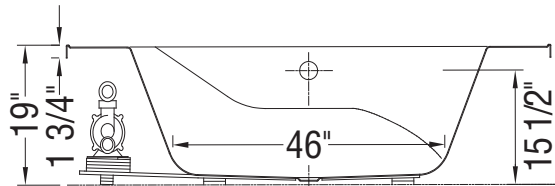
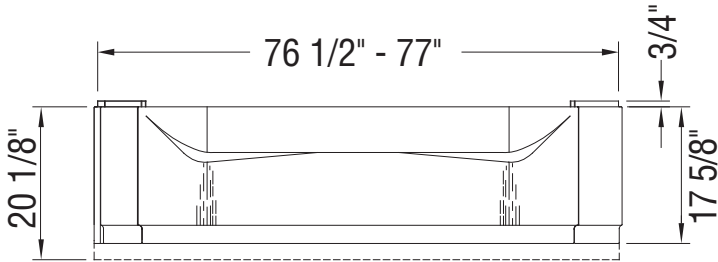
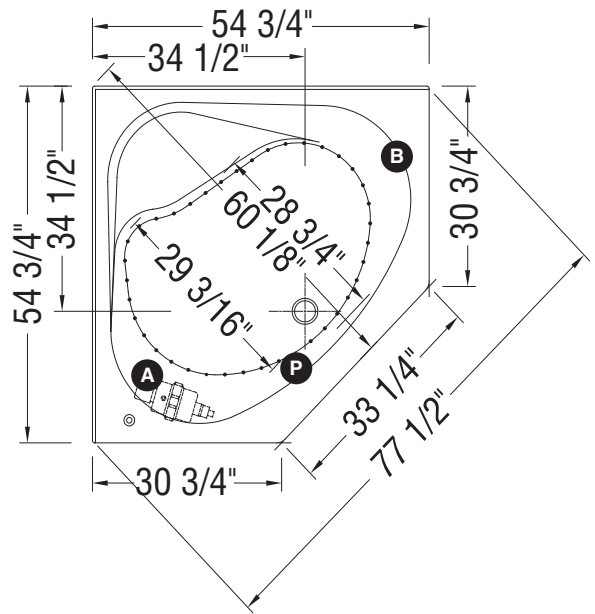


## WHIRLPOOL SYSTEM



## AIR SYSTEM



(A) : Standard blower and/or pump location

(B) : Optional blower and/or pump location

(P) : Indicates optional grab bar positioning

(▲) : Indicates Whirlpool jets positioning

(●) : Indicates airjets positioning

(△) : Indicates suction positioning

**All dimensions are approximate. Structure measurements must be verified against the unit to ensure proper fit.**