

General Instructions:

CAUTION: Risk of personal injury. NativeStone bathtubs are extremely heavy, obtain sufficient help when lifting or moving the bathtub.

CAUTION: Risk of property damage. Make sure that watertight seals exist on all bath drain connections, and that flooring and adjacent cabinetry are adequately protected while installing.

-
- We strongly recommend that installation of a Native Trails bathtub is performed by a licensed plumber.
 - Observe all local plumbing and building codes.
 - Verify the subfloor is level, and have a licensed subcontractor determine if the floor is strong enough to adequately hold the weight of a full bathtub and person.
 - Ensure proper access to the final plumbing connections.
 - Place a protective covering on the floor to prevent damage to the bathtub or floor, unpack and inspect the tub for any damage.
 - Verify surface integrity by applying glass cleaner spray to the inside and outside of the bathtub. Hand wipe to ensure all surfaces are completely coated with glass cleaner. Wait 2 minutes then visually inspect for cracks or pinholes that would show up as darker than the surrounding surface. Rinse thoroughly with water to clean surfaces after testing.

Materials Recommended:

OS&B Island Tub Drain	Tub Drain
Wooden Shims	Tub Faucet
Protective Rug or Cardboard	Non-Abrasive Cleaner
Non-Water-Based Silicone	

Tools Needed:

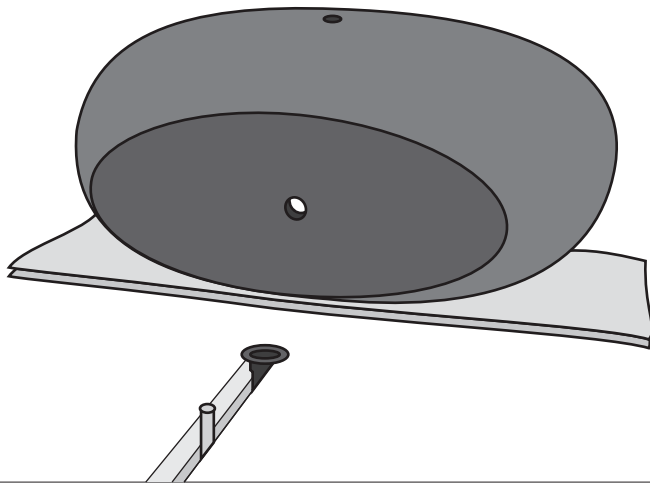
Level

Pipe Wrench

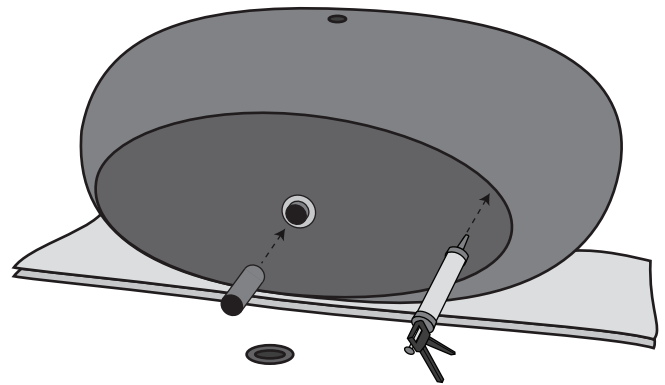
Soft Cloth

Glass Cleaner

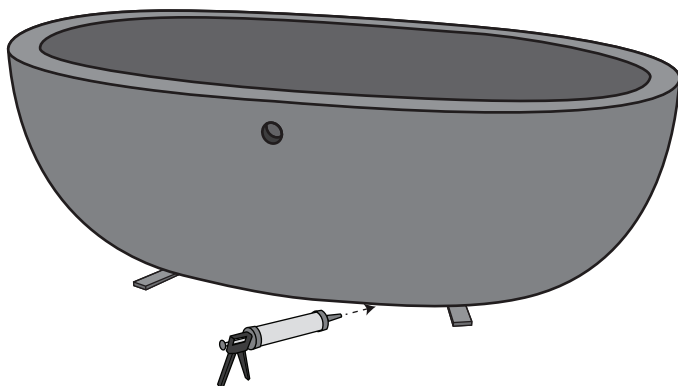
1. Once the subfloor is level and weight approved, have a licensed plumber install rough-in plumbing. We recommend OS&B's Island Tub Drain.
2. With help, put the tub in place, make sure it is level. Plan to use shims if it is not level to support the bottom of the tub and avoid uneven weight distribution.
3. Place a rug or cardboard on the flooring next to the tub to protect both tub and floor, then with help carefully tilt the tub onto its side in order to access the drain hole from the bottom of the tub.



4. Connect the drain to the tub according to the drain manufacturer's instructions, then connect the OS&B tailpiece attachment.
5. Apply non-water-based silicone to the bottom of the tub to adhere it to the floor. Then apply lubricant to the OS&B tailpiece supplied by the OS&B manufacturer.



6. With help, lift the tub to align the tailpiece with the rough-in drain, then lower the tub into place.
7. Make sure tub is level and insert the shims if needed.
8. Use non-water-based silicone to create a seal between the base of the bathtub and the floor to ensure that no water seeps underneath the tub.



9. Connect the overflow with the rough-in plumbing and install your faucet according to the faucet manufacturer's instructions.
10. Open the hot and cold water supplies, fill the tub to the overflow and check that all connections are waterproof and there are no leaks.

When cleaning up after installations, DO NOT USE ABRASIVE CLEANERS, as they may scratch and change the tub surface. Use warm water, a soft cloth and a non-abrasive soap to clean the surface. Refer to the Care and Maintenance Instructions for more information.

