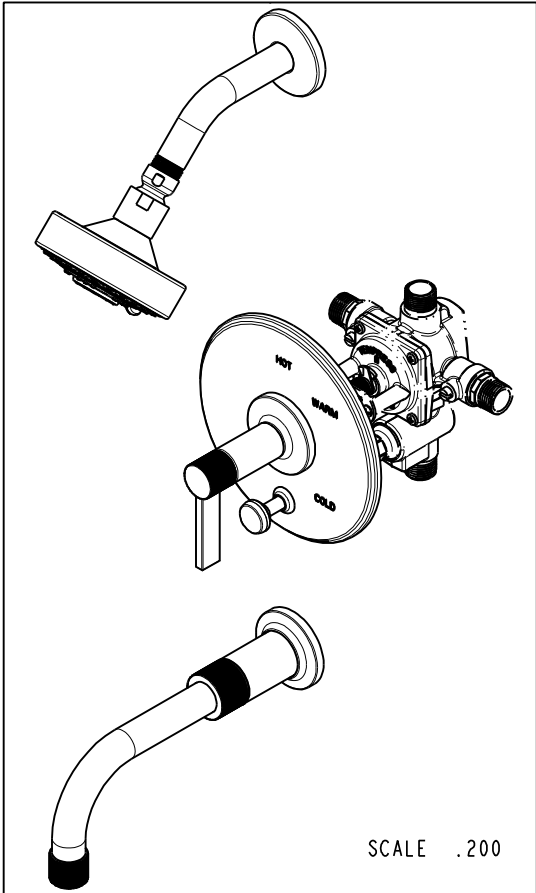


PN: 1-595
SOLD SEPARATELY




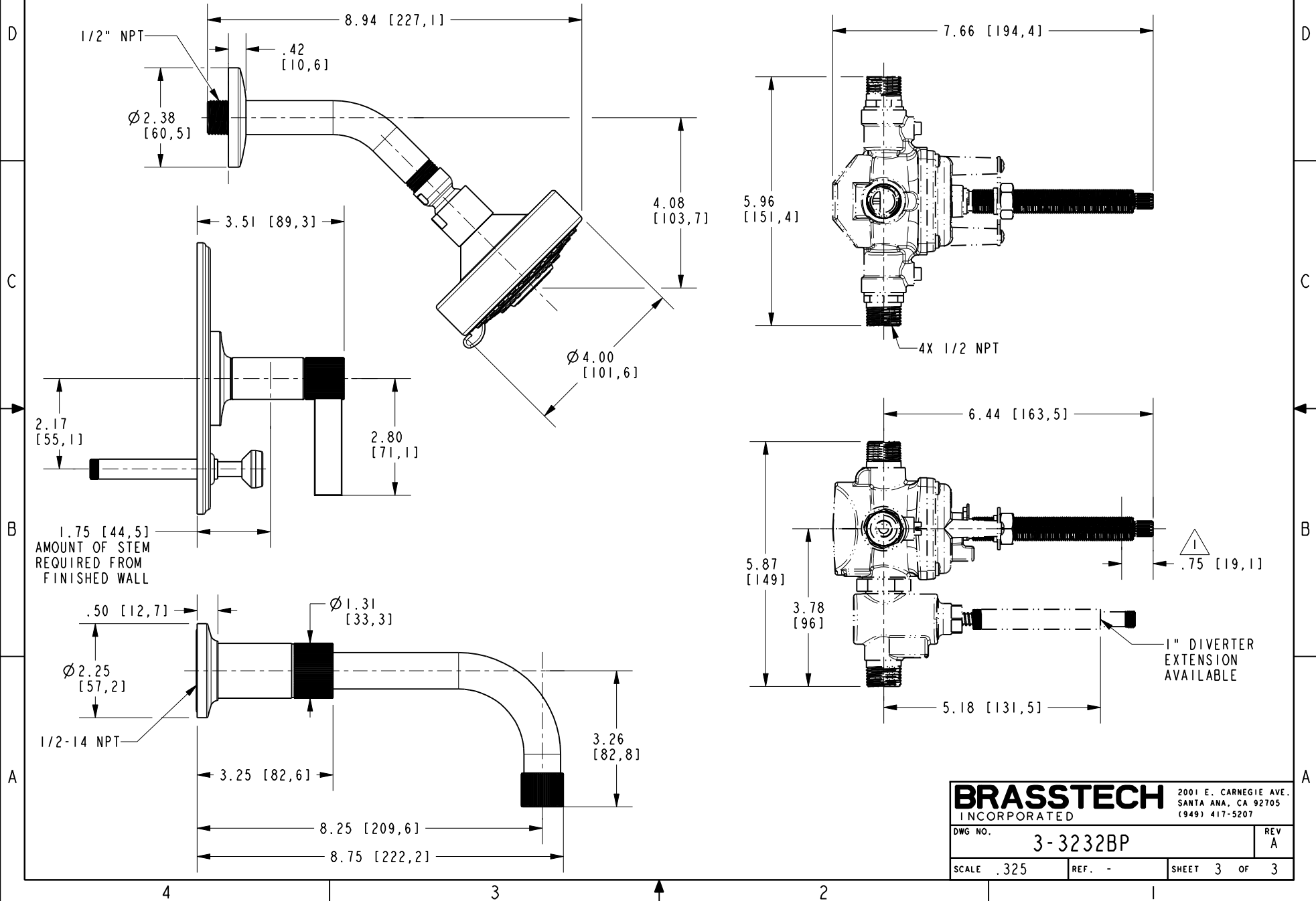
SCALE .200

BRASSTECH 2001 E. CARNEGIE AVE.
INCORPORATED SANTA ANA, CA 92705
(949) 417-5207

DWG NO.	3-3232BP	REV	A
SCALE	.300	REF.	-
		SHEET	2 OF 3

NOTE:

 CUT ALL THREAD 0.75" SHORTER THAN STEM.



BRASSTECH		2001 E. CARNEGIE AVE. SANTA ANA, CA 92705 (949) 417-5207	
DWG NO.	3-3232BP	REV	A
SCALE	.325	REF.	-
SHEET 3		OF 3	