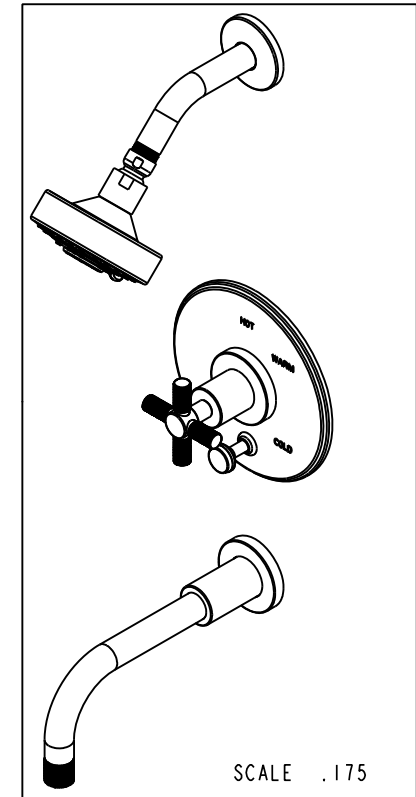
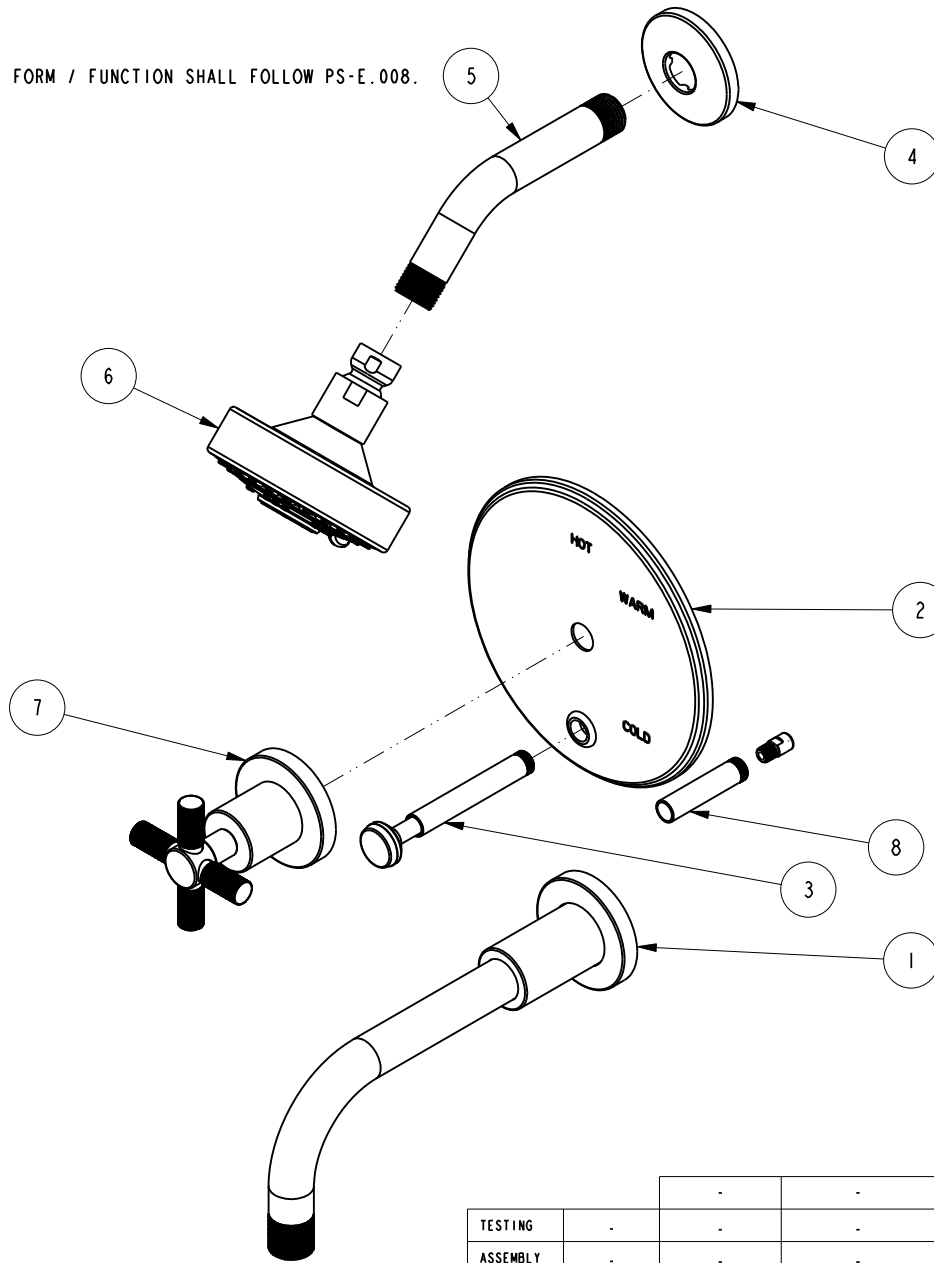


NOTES:

- (N1) 1. FIT / FORM / FUNCTION SHALL FOLLOW PS-E.008.

BILL OF MATERIAL (CURRENT LEVEL)

ITEM	PT/ASSY	DESCRIPTION	TYPE	QTY.
1	3-695	W/M TUB SPOUT W/ESC.	ASSEMBLY	1
2	2-438	COVERPLATE BP W/DIV ASM	ASSEMBLY	1
3	2-217	DIVERTER TRIM KIT	ASSEMBLY	1
4	206	SHOWER ARM FLANGE	PART	1
5	200	SHOWER ARM 6" BRASS	PART	1
6	2155	SHOWER HEAD, CONTEMP	ASSEMBLY	1
7	3-693	CROSS HANDLE W/ESC.	ASSEMBLY	1
8	2-894	DIVERTER TRIM KIT (SHORT)	ASSEMBLY	1



UNITS ARE: INCHES (MM)
TOLERANCES ARE:
FRACTIONS DECIMALS ANGLES
±1/16" .X ±.1 (2.5) ±1°
.XX ±.06 (1.5)

(X.XXX) DENOTES CRITICAL DIMS.
ALL THREADS ARE CRITICAL

BRASSTECH 2001 CARNEGIE AVE.
INCORPORATED SANTA ANA, CA 92705
(949) 417-5207

BP TUB & SHOWER TRIM SET

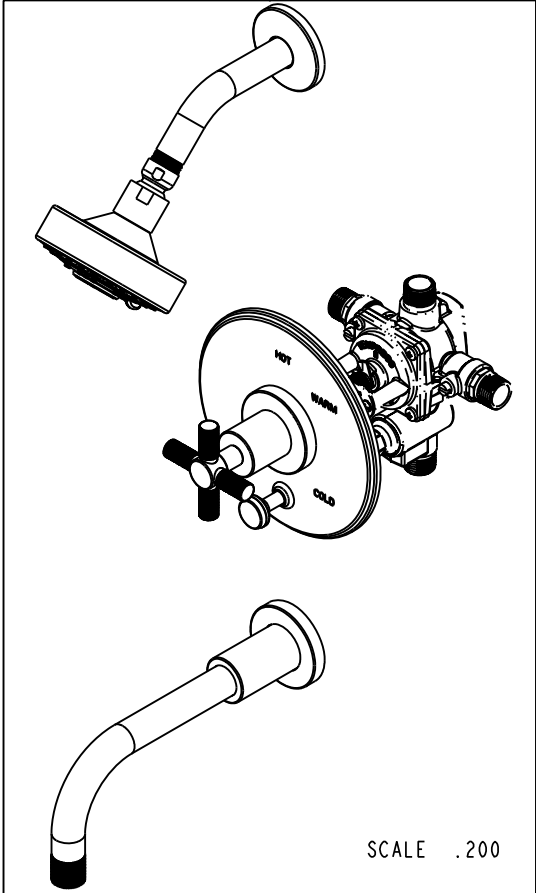
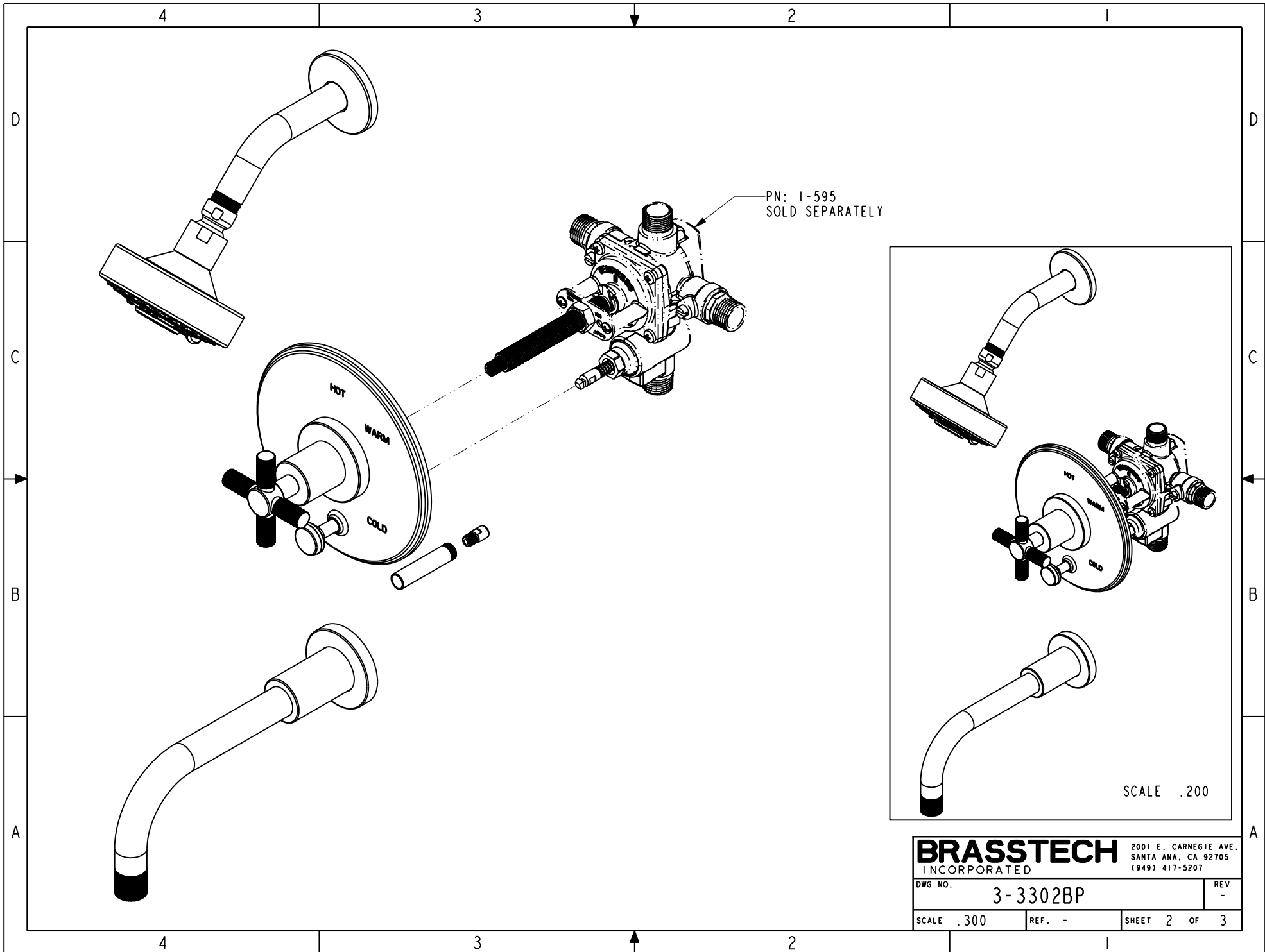
DWG NO. 3-3302BP REV -

SCALE .275 REF. - SHEET 1 OF 3

COPYRIGHT 2005 BRASSTECH, INC.
THESE DRAWINGS AND THE DESIGNS
DEPICTED HEREIN ARE THE PROPRIETARY
PROPERTY OF BRASSTECH. ANY USE
OR REPRODUCTION IS SUBJECT TO
THE EXPRESS APPROVAL OF BRASSTECH.
UNAUTHORIZED USE IS STRICTLY
PROHIBITED. ALL RIGHTS RESERVED.

TESTING	ASSEMBLY	PLATING	POLISHING	MACHINING	TOOLING FIXTURE #	APPLICATION	USED ON	CHECKED	APPROVED
-	-	-	-	-	-	REMOVE ALL BURRS AND SHARP EDGES	-	J.M.	J.M.
-	-	-	-	-	-	-	-	J.M.	J.M.

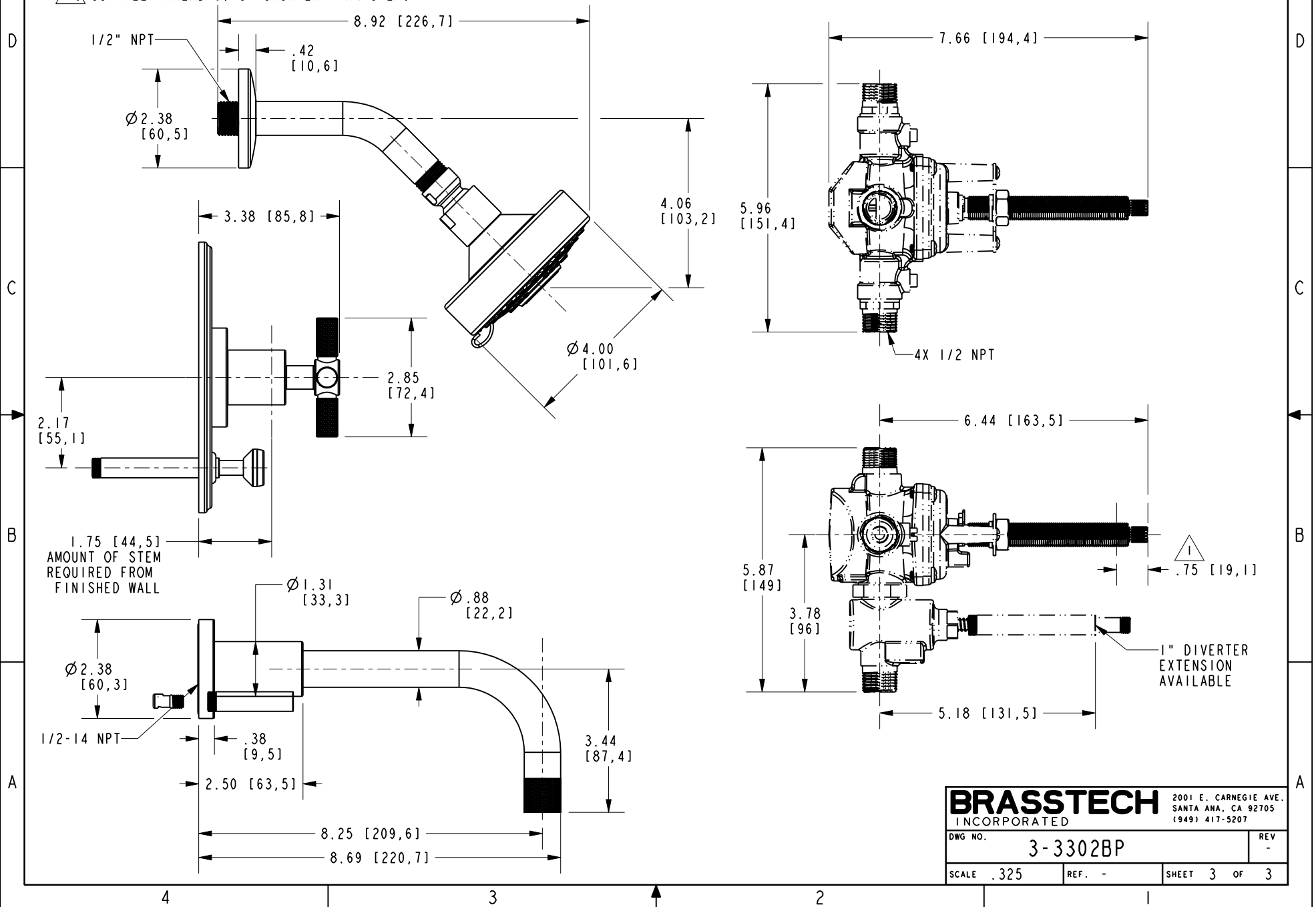
ZONE	REV	DESCRIPTION	DATE	APPROVED
-	-	EN-4115	05/04/20	J.M.



BRASSTECH		2001 E. CARNEGIE AVE.	
INCORPORATED		SANTA ANA, CA 92705	
		(949) 417-5207	
DWG NO.	3-3302BP		REV
			-
SCALE .300	REF. -	SHEET 2 OF 3	

NOTE:

1 CUT ALL THREAD 0.75" SHORTER THAN STEM.



BRASSTECH		2001 E. CARNEGIE AVE. SANTA ANA, CA 92705 (949) 417-5207	
INCORPORATED			
DWG NO.	3-3302BP		REV
SCALE	.325	REF.	-
SHEET 3		OF 3	