

NEWPORT BATH

Features

- Solid brass construction
- Contemporary styling
- ADA compliant slide bar adjustment handle
- Single function spray
- Rubber nozzles with finished spray surface
- 1/2" NPT inlet elbow fitting
- .65" x 3" (1.6 cm x 7.7 cm) spray area
- 1.8 GPM (6.8 LPM) Max

Codes / Standards Compliance

Meets or exceeds the following at date of manufacture:

- ASME A112.18.1/CSA B125.1-18
- IAMPO/cUPC
- IPC
- Energy Policy Act of 1992
- EPA WaterSense
- California Energy Commission
- ASME A112.18.3 (Back Flow)
- All applicable US Federal and State material regulations

Colors / Finishes

- 10B: Oil Rubbed Bronze
- 15: Polished Nickel
- 15S: Satin Nickel - PVD
- 26: Polished Chrome
- Other: Refer to the Newport Brass catalog for additional color/finish options.

Handshower with Slidebar Set

280S



Specified Model

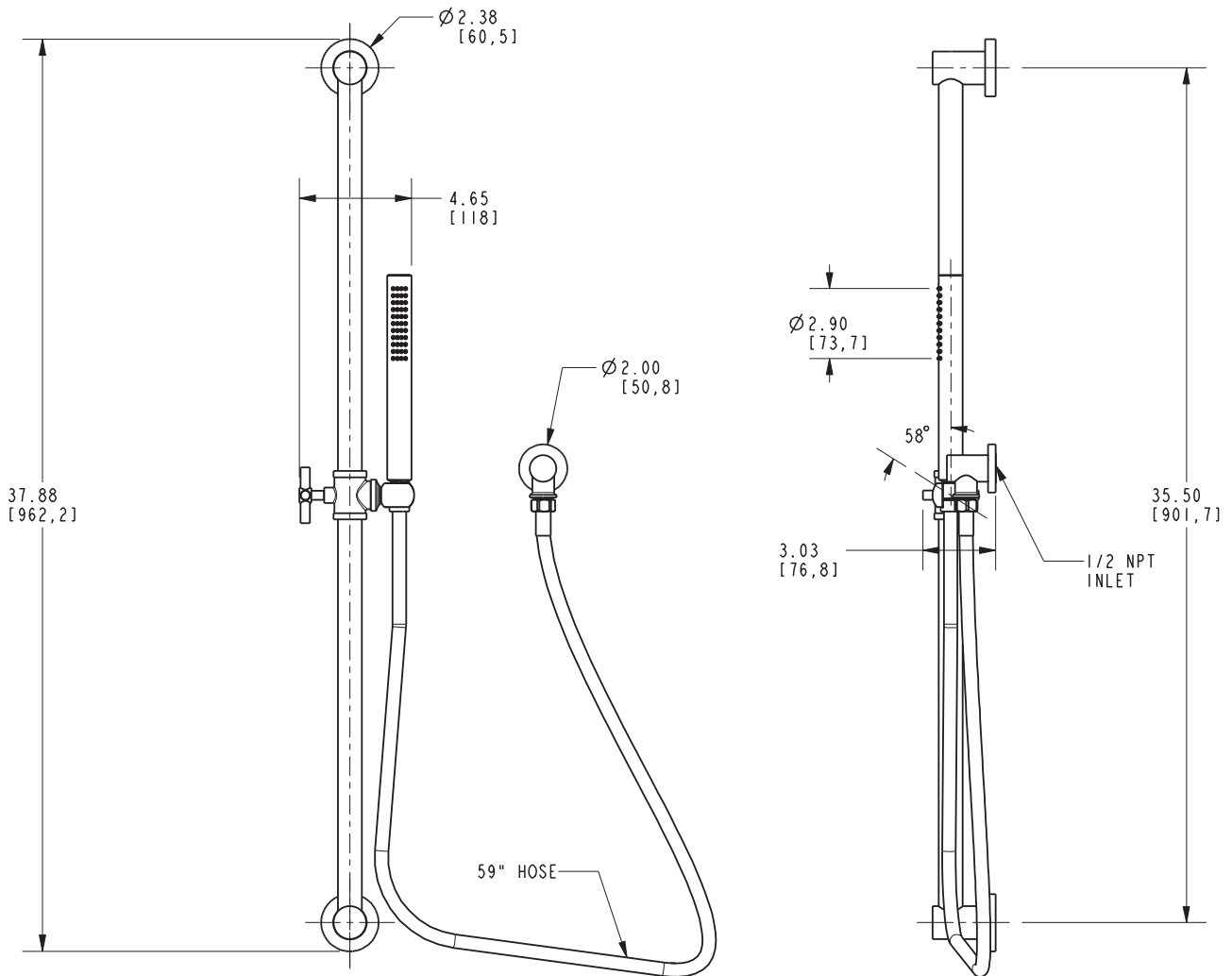
| Model | Description | Colors Finishes |
|-------|------------------------------|--|
| 280S | Handshower with Slidebar Set | <input type="checkbox"/> 10B <input type="checkbox"/> 15 <input type="checkbox"/> 15S <input type="checkbox"/> 26 <input type="checkbox"/> Other |

Product Specification Add "Color / Finish" suffix to Model number, below.

The Handshower with Slidebar Set shall be of solid brass construction. Handshower Set shall have a single function shower engine incorporating rubber nozzles to facilitate easy cleaning. Handshower Set shall incorporate twin back-check valves within the handshower handle. Handshower Set shall have a 1/2" NPT inlet elbow fitting and .65" x 3" (1.6 cm x 7.7 cm) spray area while operating at 1.8 gallons (6.7 liters) per minute maximum flow rate. Handshower Set shall be Newport Brass Model 280S/____.

280S

Product Dimensions are provided for reference only. For specific product installation guidelines, please reference the Installation Instructions of the product being installed.



Newport Bath Handshower with Slidebar Set 280S