

NEWPORT BATH

Features

- Solid brass construction
- Traditional styling
- Multi-function engine with 3 spray modes
- Rubber nozzles facilitate easy cleaning
- Handshower incorporates twin back-check valves
- 1/2" NPT inlet elbow fitting
- 4" (10.2 cm) showerhead diameter
- 1.8 gallons (6.7 liters) per minute maximum flow rate showerhead

Codes / Standards Compliance

Meets or exceeds the following at date of manufacture:

- ASME A112.18.1/CSA B125.1
- IAPMO/cUPC
- IPC
- Energy Policy Act of 1992
- EPA Watersense
- All applicable US Federal and State material regulations

Colors / Finishes

- 10B: Oil Rubbed Bronze
- 15: Polished Nickel
- 15S: Satin Nickel - PVD
- 26: Polished Chrome
- Other: Refer to the Newport Brass catalog for additional color/finish options.

Handshower Set 280N



Specified Model

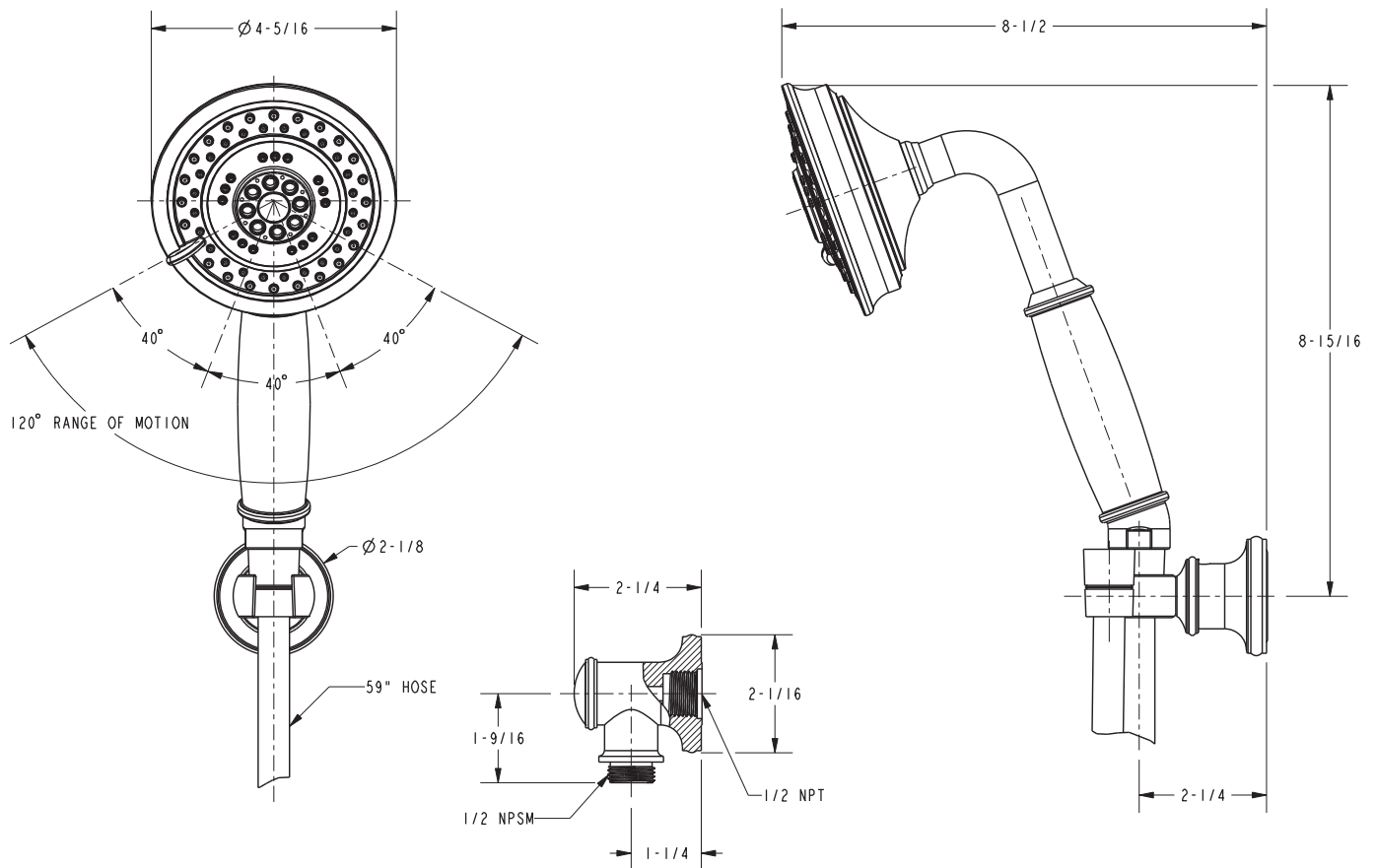
Model	Description	Colors Finishes
280N	Handshower Set	<input type="checkbox"/> 10B <input type="checkbox"/> 15 <input type="checkbox"/> 15S <input type="checkbox"/> 26 <input type="checkbox"/> Other

Product Specification: Add "Color / Finish" suffix to Model number, below.

The Handshower Set shall be of solid brass construction while incorporating a non-metallic handshower engine. Handshower Set shall have a multi-function shower engine with 3 spray modes incorporating rubber nozzles to facilitate easy cleaning. Handshower Set shall incorporate twin back-check valves within the handshower handle. Handshower Set shall have a 1/2" NPT inlet elbow fitting and 4" (10.2 cm) showerhead diameter while operating at 1.8 gallons (6.7 liters) per minute maximum flow rate. Handshower Set shall be Newport Brass Model 280N/____.

280N

PRODUCT DIMENSIONS *(Units are in inches)*



Newport Bath Handshower Set 280N