

STRIPLING

Soap / Lotion Dispenser **3310-5721**

Features

- Solid brass construction
- One piece cast spout design
- Base with integral O-ring deck seal
- Removable spout for above deck refilling
- 8 fluid oz. (236 ml) capacity bottle included
- 1.52" (3.9 cm) spout height at outlet
- 3.50" (8.9 cm) spout reach (c-c)

Codes / Standards Compliance

Meets or exceeds the following at date of manufacture:

- Energy Policy Act of 1992
- All applicable US Federal and State material regulations

Colors / Finishes

- 10B: Oil Rubbed Bronze
- 15: Polished Nickel
- 15S: Satin Nickel - PVD
- 26: Polished Chrome
- Other: Refer to the Newport Brass catalog for additional color/finish options.



20-373 3310-5721 125-8 125-9

Specified Model

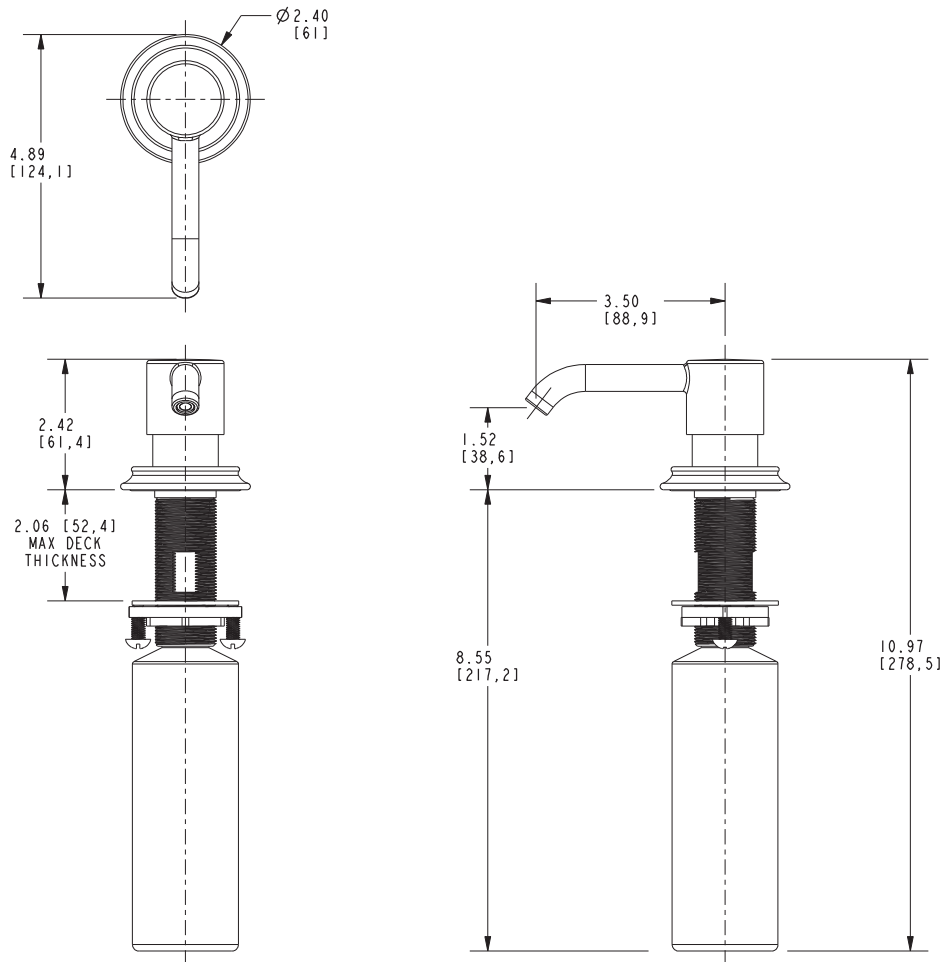
Model	Description	Colors Finishes				
3310-5721	Soap / Lotion Dispenser	<input type="checkbox"/> 10B	<input type="checkbox"/> 15	<input type="checkbox"/> 15S	<input type="checkbox"/> 26	<input type="checkbox"/> Other
20-373	Soap / Lotion Replacement Pump Head	<input type="checkbox"/> 10B	<input type="checkbox"/> 15	<input type="checkbox"/> 15S	<input type="checkbox"/> 26	<input type="checkbox"/> Other
125-8	Soap / Lotion Replacement Pump	<input type="checkbox"/> 10B	<input type="checkbox"/> 15	<input type="checkbox"/> 15S	<input type="checkbox"/> 26	<input type="checkbox"/> Other
125-9	Soap / Lotion Replacement Bottle	<input type="checkbox"/> 10B	<input type="checkbox"/> 15	<input type="checkbox"/> 15S	<input type="checkbox"/> 26	<input type="checkbox"/> Other

Product Specification Add "Color / Finish" suffix to Model number, below.

The Soap / Lotion Dispenser shall be made of solid brass construction. Dispenser shall incorporate a removable top spout assembly for easy refilling access. Dispenser shall incorporate a refillable 8 fluid ounce (236 ml) capacity container. Product shall incorporate a 1.52" (3.9 cm) spout height at outlet and a 3.50" (8.9 cm) spout reach (c-c). Soap / Lotion Dispenser shall be Newport Brass Model 3310-5721/_____.

3310-5751

Product Dimensions are provided for reference only. For specific product installation guidelines, please reference the Installation Instructions of the product being installed.



Stripling Soap / Lotion Dispenser 3310-5721