

SUTTON

Toilet Tissue Holder **35-27**

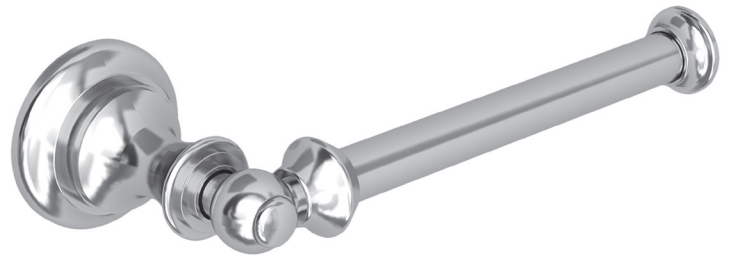
Features

- Solid brass construction
- Single-post, open roller design
- Complements Sutton product series

Codes / Standards Compliance

Meets or exceeds the following at date of manufacture:

- All applicable US Federal and State material regulations



Colors / Finishes

- 10B: Oil Rubbed Bronze
- 15: Polished Nickel
- 15S: Satin Nickel - PVD
- 26: Polished Chrome
- Other: Refer to the Newport Brass catalog for additional color/finish options.

Specified Model

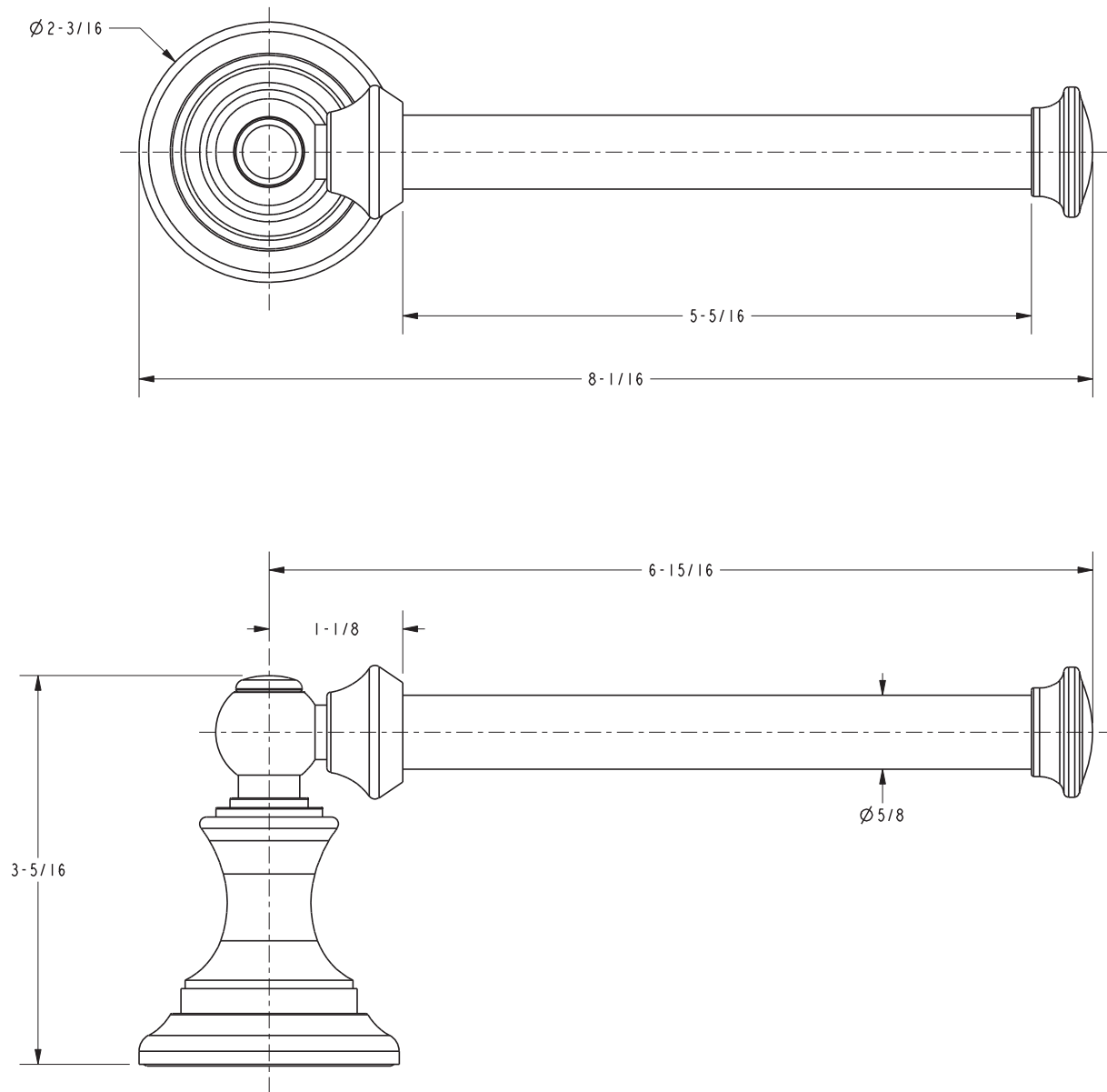
Model	Description	Colors Finishes
35-27	Open Toilet Tissue Holder	<input type="checkbox"/> 10B <input type="checkbox"/> 15 <input type="checkbox"/> 15S <input type="checkbox"/> 26 <input type="checkbox"/> Other

Product Specification: Add "Color / Finish" suffix to Model number, below.

The Toilet Tissue Holder shall be made of solid brass construction and incorporate a single-post, open roller design. Toilet Tissue Holder shall complement Newport Brass Sutton product series. Toilet Tissue Holder shall be Newport Brass Model 35-27/_____.

35-27

PRODUCT DIMENSIONS *(Units are in inches)*



Sutton Toilet Tissue Holder
35-27