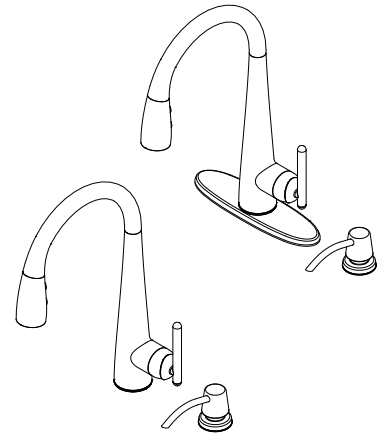


- GT529-SMB Finish(B)
- GT529-SMC Finish(C)
- GT529-SMD Finish(D)
- GT529-SMS Finish(S)
- GT529-SMBG Finish(BG)

- All Metal Construction
- 1, 2, 3 or 4-Hole Installation
- Pforever Seal



Specifications

Features

- 1.8 GPM Flow Rate
- Convert to LEED Requirements with Separate Insert: Low Flow Regulator 941-786: 1.5 GPM
- 3 Function Pull-Down Sprayer (Stream, Spray, and Pause)
- All Metal Construction
- Includes Optional Deckplate
- Includes Metal Soap Dispenser
- Self Cleaning Spray Head
- Pforever Seal™ Ceramic Disc Valve
- Pforever Warranty®

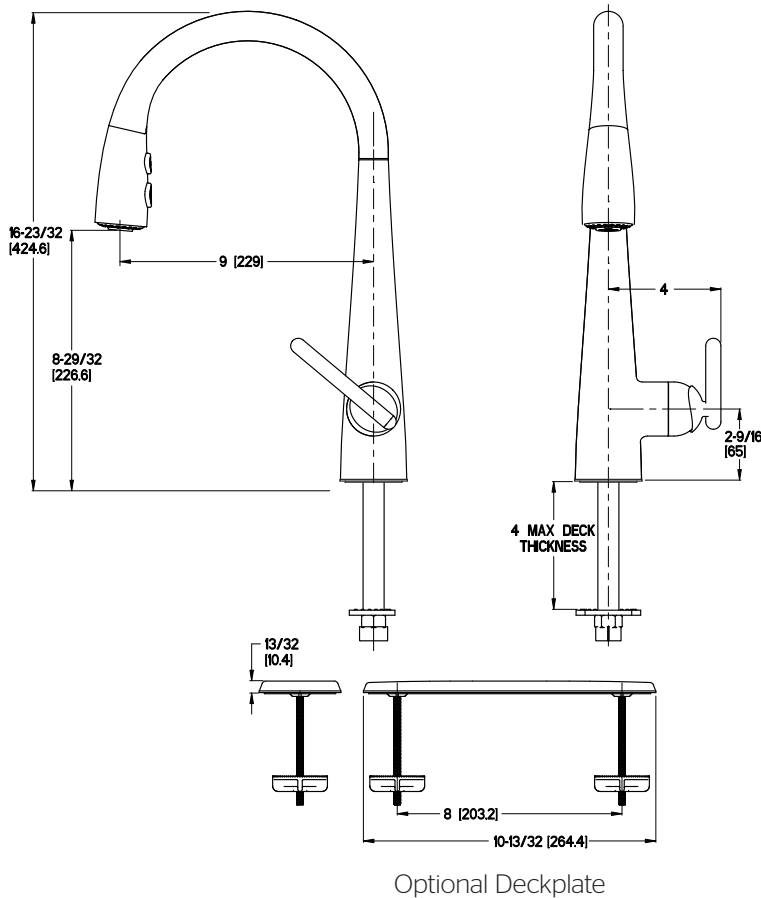
Code Compliance

Pfister products are designed and manufactured in compliance with the following standards and codes:

- IAPMO Certified
- CSA B125 Certified
- ASME A112.18.1
- NSF 61/9 Annex G (Low lead)
- CEC Compliant
- Cal Green Compliant
- ADA Compliant-ANSI A117.1 (Lever handles only)
- ASME A112.18.3 (Backflow Prevention)

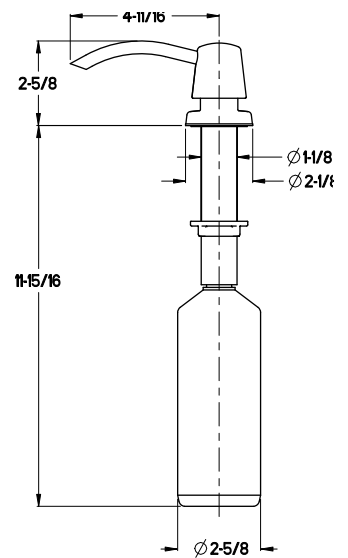


Dimensions



Ø1-3/8 Min to Ø1-1/2 Max. Deck Hole Openings

Top Filling Soap Dispenser



36 Inch Supply Lines with
3/8 Female Compression
Brass Connections

