

4-151 Symmons® Universal Institutional Shower Heads



Symmons Universal Institutional shower head with mounting bracket and fasteners. Vandal-resistant. Flow rate is 2.5 GPM (9.5 L/min).

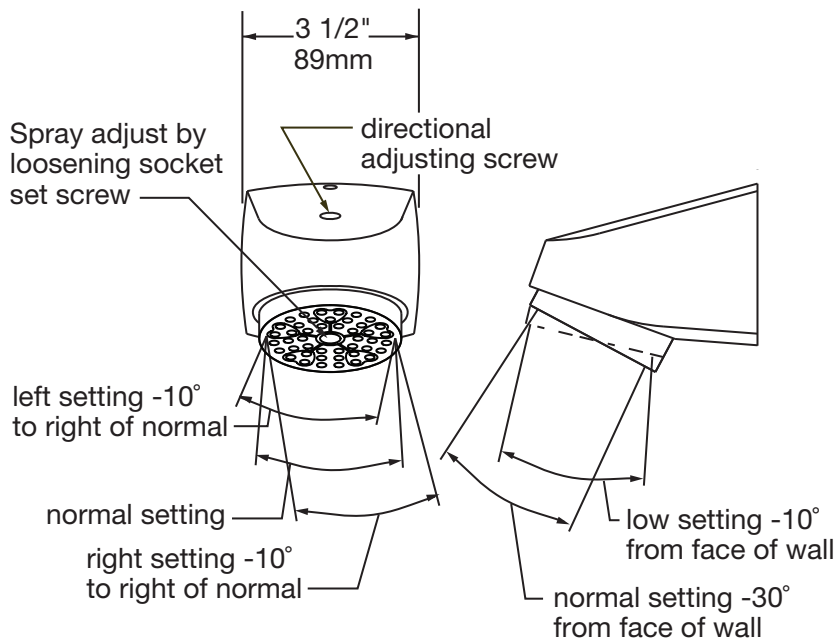
Modifications:

- Suffix A:** Anchor plate for use with ceramic tile
- Suffix B:** Back plate and bolts for extra thick wall
- Suffix 2.0:** 2.0 gpm (7.8 L/min) flow rate
- Suffix 1.5:** 1.5 gpm (5.7 L/min) flow rate



**SYMMONS PRODUCTS MEET
ASME A112.18.1
WaterSense 2.0 gpm (7.6 L/min)**



Job/Location

.....

Engineer

.....

Contractor

.....

For ADA compliance (Americans with Disabilities Act) consult ADAAG or your state regulations for proper product choice and mounting locations.

Symmons Industries, Inc. ■ 31 Brooks Drive ■ Braintree, MA 02184
 (800) 796-6667, (781) 848-2250 ■ Fax (800) 961-9621, (781) 843-3849
 Website: symmons.com ■ Email: gethelp@symmons.com

Copyright © 2018 Symmons Industries, Inc. ■ ZV-1791 REV B ■ 072018

