

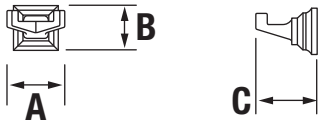
423RH, 423TB-18, 423TB-24, 423TP, 423TR  
Oxford<sup>®</sup> Accessories  
**Operation & Maintenance Manual**

Model Numbers	Specifications
<input type="checkbox"/> <b>423RH</b> <i>Robe Hook</i>  <input type="checkbox"/> <b>423TB-18</b> <i>18" Towel Bar</i>  <input type="checkbox"/> <b>423TB-24</b> <i>24" Towel Bar</i>  <input type="checkbox"/> <b>423TP</b> <i>Toilet Paper Holder</i>  <input type="checkbox"/> <b>423TR</b> <i>Towel Ring</i>	<p>All premium accessories made from brass plated in standard polished chrome finish.</p>
Modifications	Warranty
<input type="checkbox"/> <b>-ORB</b> <i>Oil rubbed bronze finish</i>  <input type="checkbox"/> <b>-STN</b> <i>Satin nickel finish</i>	<p><b>Limited Lifetime</b> - to the original end purchaser in consumer installations.  <b>5 Years</b> - for commercial installations.</p> <p>Refer to <a href="http://www.symmons.com/warranty">www.symmons.com/warranty</a> for complete warranty information.</p>

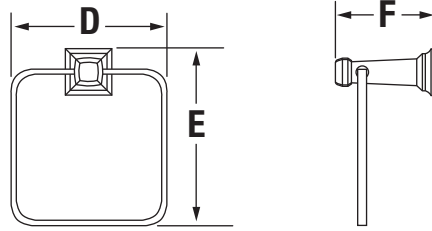
**Note:** Append appropriate -suffix to model number.

## Dimensions

### 423RH



### 423TR

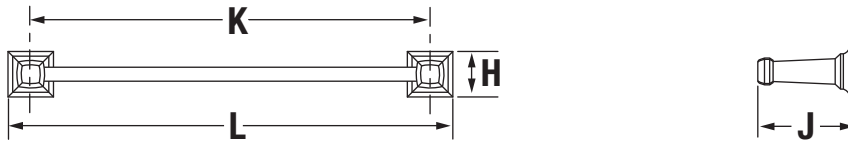


Measurements	
A	2 5/8", 67 mm
B	2", 51 mm
C	2 3/4", 70 mm
D	6 7/8", 175 mm
E	7 3/4", 197 mm
F	4 3/8", 111 mm
G	5 7/8", 149 mm
H	2", 51 mm
I	7 7/8", 200 mm
J	4 3/8", 111 mm
K	18", 457 mm
L	20 1/8", 511 mm
M	24", 610 mm
N	26", 660 mm

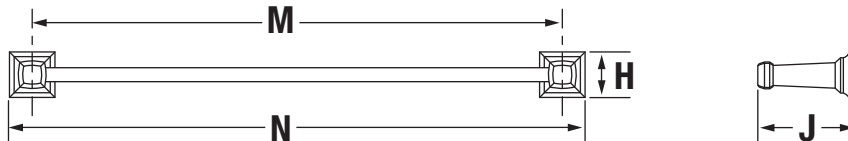
### 423TP



### 423TB-18



### 423TB-24

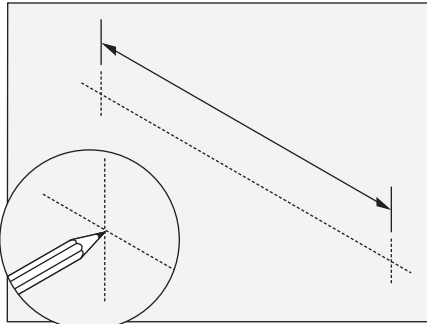


Required for Installation	
Phillips head screwdriver	
Allen wrench (3/32")	
Power Drill	

**Note:** Dimensions are subject to change without notice.

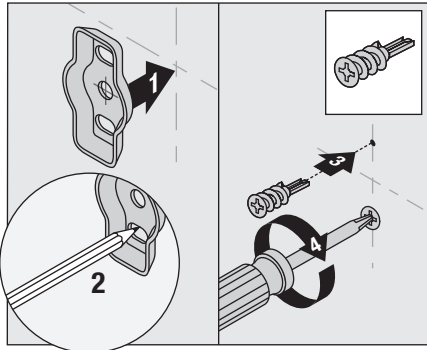
## Installation

- 1) Measure and mark centerlines for mounting bracket installation using dimensions on page 2.



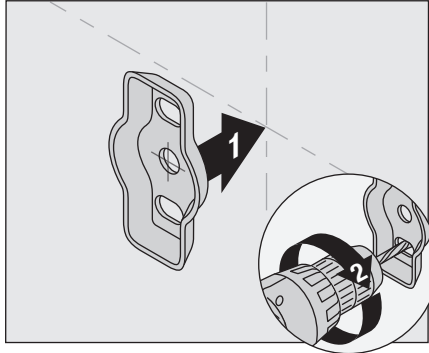
**Notes:** 423TB-18 and 423TB-24 only. Make sure both centerline marks are level.

- 2a) **Dry Wall Option:** Place mounting brackets into desired position. Using brackets as a guide, mark holes. Screw self-drilling anchors into wall.

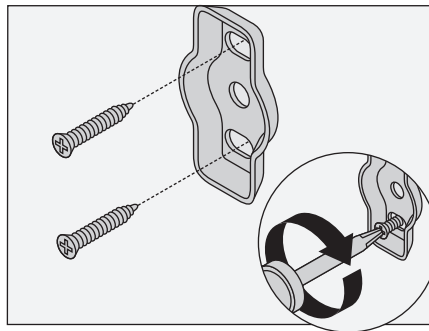


- 2b) **Stud Option:** Place mounting

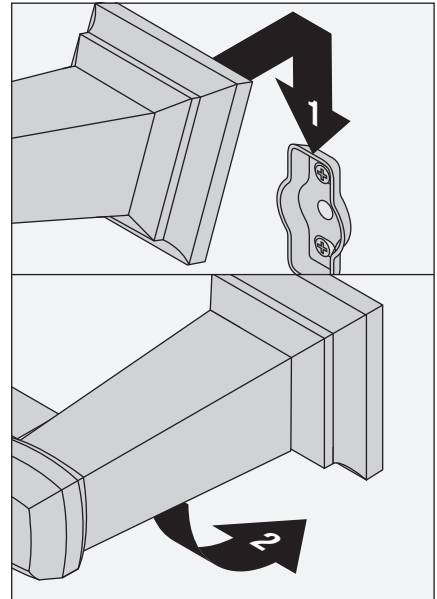
brackets into desired position. Using brackets as a guide, carefully drill 3/16" holes into wall.



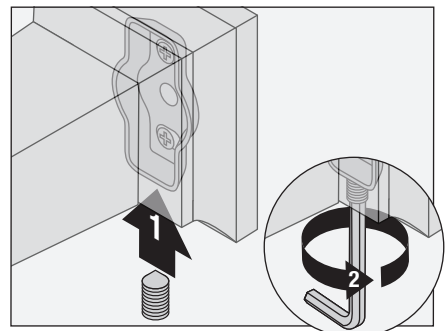
- 3) With mounting brackets in position, secure to wall using screws.



- 4) Hang top of accessory on mounting bracket. Lower into position.



- 5) Secure with set screw.



## Care and Cleaning

- 1) Clean finished trim area with a soft cloth using mild soap and water or a non-abrasive cleaner and then quickly rinse with water.