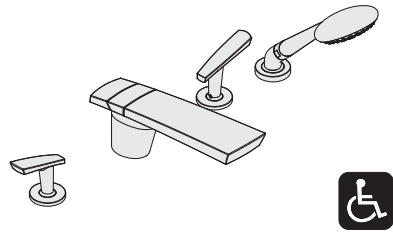


Location:



Roman Tub Faucet with Handspray SRT-4172

Specification Submittal

Model Numbers

- SLW-4172 Roman Tub Faucet with Handspray

Alternate Finish Options

Append appropriate -suffix to model number.

- STN Satin Nickel Finish
- PNL Polished Nickel Finish
- Polished Chrome (standard finish)

Options / Modifications

Append appropriate -suffix to model number.

Feature Highlights

- Two handle Roman Tub Faucet with quarter turn ceramic control components.
- Handspray and liftrod diverter
- 1/2 rigid copper tubing connections
- Cast brass spout
- Metal construction, polished chrome finish

Standards / Certifications

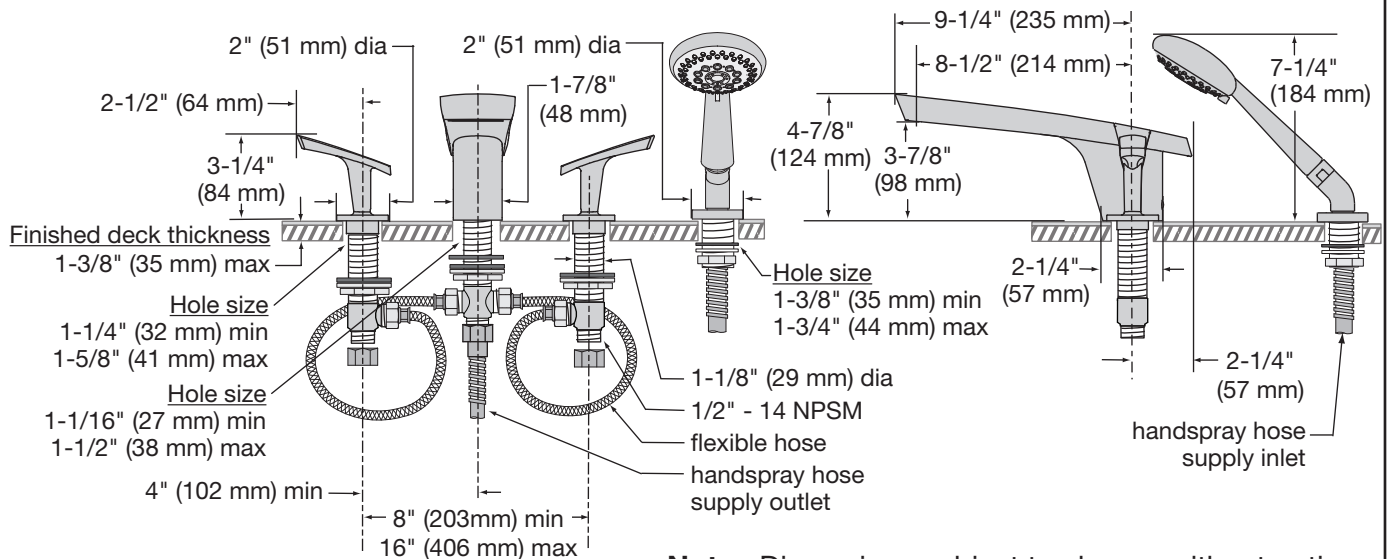
ASME A112.18.1/CSA B125.1



Warranty

- Limited Lifetime - to the original end purchaser in consumer installations.
- 5 years - for commercial installations

Dimensions Naru Roman Tub Faucet, SRT-4172



Note: Dimensions subject to change without notice

Symmons Industries, Inc. ■ 31 Brooks Drive ■ Braintree, MA 02184
Phone: (800) 796-6667 ■ Fax: (800) 961-9621
Website: symmons.com ■ Email: gethelp@symmons.com
Copyright © 2018 Symmons Industries, Inc. ■ ZV-671 REV A ■ 121018

