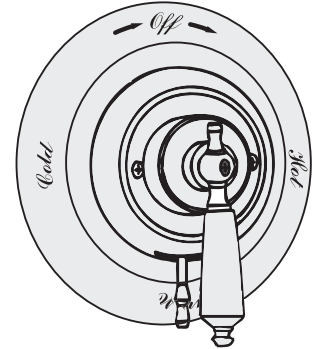


Location:

SYMMONS[®] Carrington[™]

Shower Valve System S-4400 Specification Submittal



Feature Highlights

- Symmons shower valve system with lever handles.
- Symmons Temptrol[®] pressure balancing mixing valve with adjustable stop screw to limit handle turn.
- Secondary integral volume control handle
- Metal construction with polished chrome finish

Model Numbers

- S-4400..... Shower Valve System with Symmons Temptrol[®] pressure balancing mixing valve p/n S-4002-BODY
- S-4400-TRM..... Trim only, valve must be ordered separately
- S-4001-BODY..... Symmons Temptrol[®] pressure balancing mixing valve without trim
- S-4001-X-BODY.... Symmons Temptrol[®] pressure balancing mixing valve without trim. Valve includes integral service stops to allow water shut-off for service.

Finish Options / Modifications

Append appropriate -suffix to model number.

- STN Satin nickel
 - Polished chrome (standard finish)

Options / Modifications

Append appropriate -suffix to model number.

- IPS 1/2 inch female IPS connections on Symmons Temptrol[®] mixing valve
- X Symmons Temptrol[®] pressure balancing mixing valve includes integral service stops to allow water shut-off for service, p/n S-4001-X-BODY. (Option only applies when ordering model S-4400.)

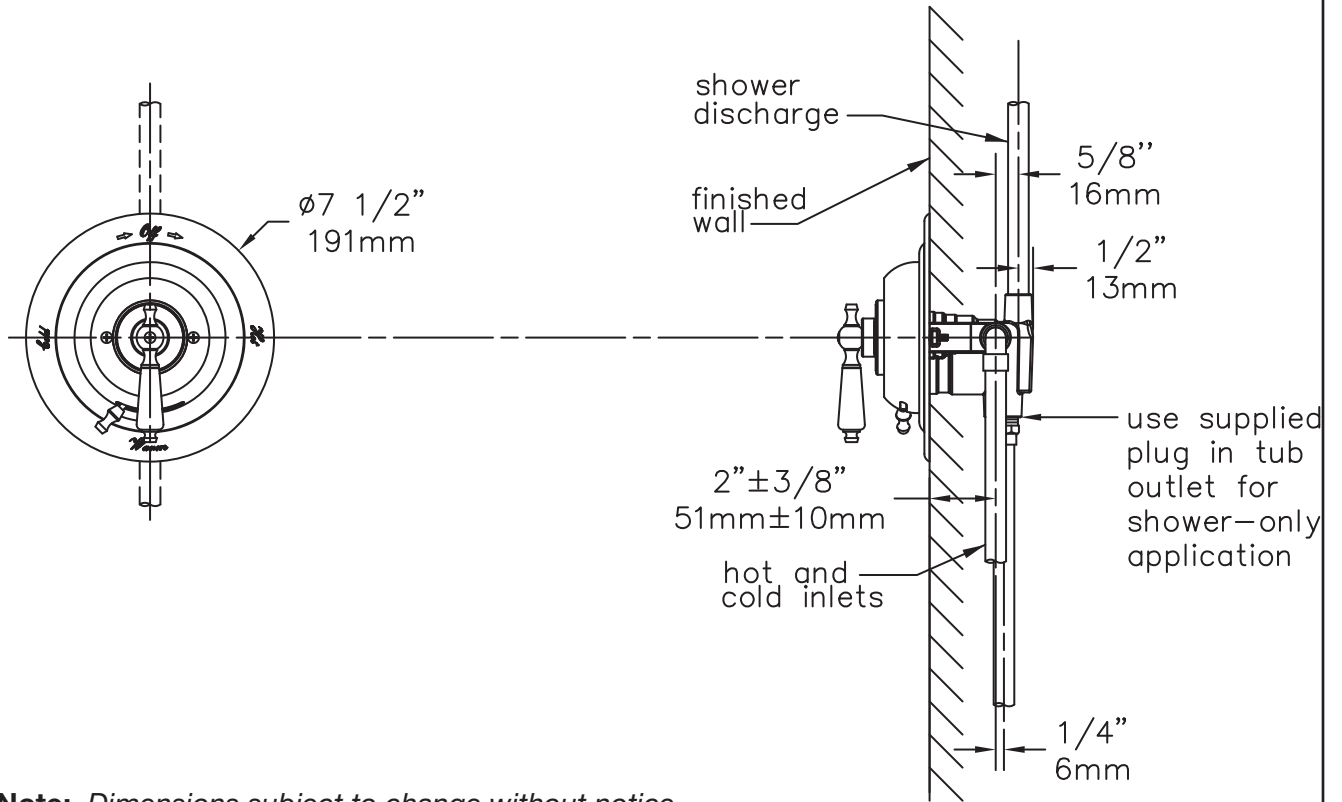
Standards / Certifications

ASME A112.18.1-2005/CSA B125.1-05

Warranty

- Limited Lifetime - to the original end purchaser in consumer installations.
- 5 years - for commercial installations

Dimensions Carrington Shower Valve System, S-4400



Note: Dimensions subject to change without notice.