

Gyrostream® Body Spray - Square

FEATURES

- Rotating spray head creates spiral spray
- 1.32 gpm (5.0 lpm) maximum flow rate
- 4" x 4" cover plate

COLORS/FINISHES

- #CP Polished Chrome
- #BN Brushed Nickel
- #PN Polished Nickel

CODES/STANDARDS

- Meets or exceeds ASME A112.18.1/CSA B125.1
- Certifications: IAPMO(cUPC), State of Massachusetts and others
- Code Compliance: UPC, IPC, NSPC, NPC Canada, and others



PRODUCT SPECIFICATION

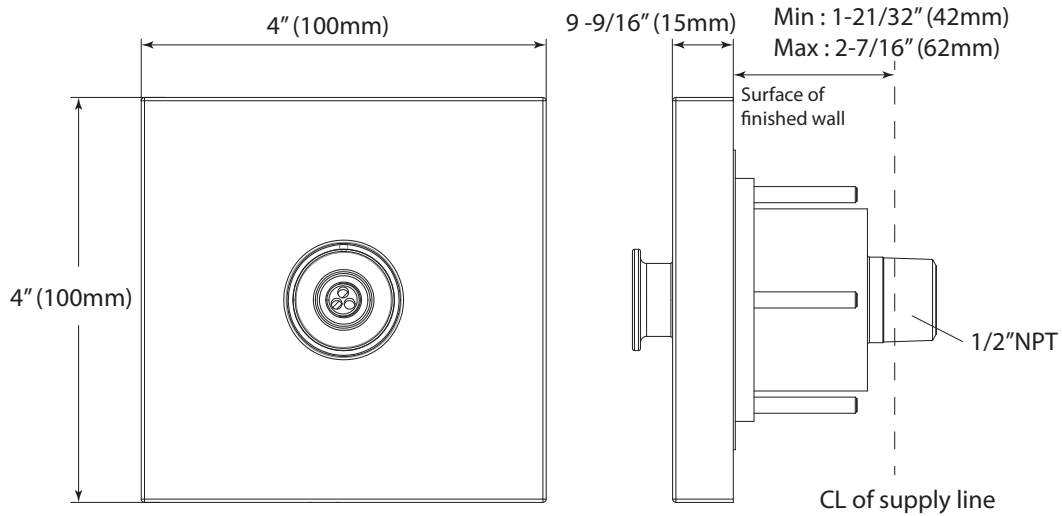
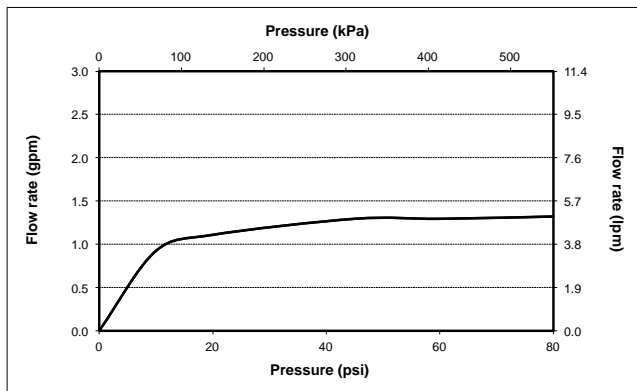
The body spray shall have rotating head which creates spiral spray. Product shall have 1.32 gpm (5.0 lpm) maximum flow rate. Product shall have 4" x 4" cover plate. Product shall have 1/2" NPT connection. Product shall be **TOTO Model TS110J2#_____**.

TS110J2

Gyrostream® Body Spray - Square

SPECIFICATIONS

- Warranty Lifetime Limited Warranty (Residential Use)
One Year (Commercial Use)
- Shipping Weight 1.7 lbs.
- Shipping Dimensions 7-3/8" X 6-1/2" X 5"
- Maximum Flow Rate 1.32 gpm (5.0 lpm)



TOTO®

These dimensions and specifications are subject to change without notice