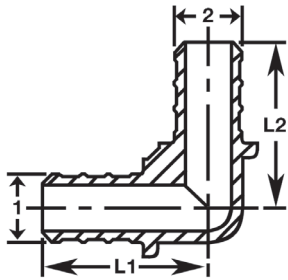


Dimensional Documentation

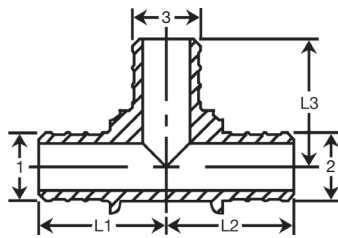
viega

Viega PureFlow® Crimp PolyAlloy Fittings



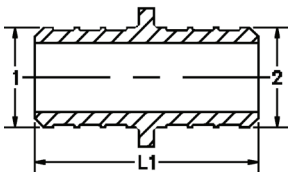
Viega PureFlow Crimp 90° Elbow Zero Lead PolyAlloy - Model V5216

Part Number	Size		L1 (in)	L2 (in)
	1	2		
43210	3/8"		1.15	1.15
43220	1/2"		1.15	1.15
43240	3/4"		1.25	1.25
43242	3/4"	1/2"	1.25	1.25
43260	1"		1.53	1.53



Viega PureFlow Crimp Tee Zero Lead PolyAlloy - Model V5218

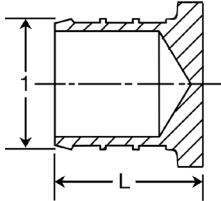
Part Number	Size			L1 (in)	L2 (in)	L3 (in)
	1	2	3			
43500	3/8"			1.16	1.16	1.16
43520	1/2"			1.15	1.15	1.15
43334	1/2"	1/2"	3/4"	1.25	1.25	1.15
43540	3/4"			1.25	1.25	1.25
43433	3/4"	1/2"	1/2"	1.25	1.15	1.25
43434	3/4"	1/2"	3/4"	1.25	1.25	1.25
43443	3/4"	3/4"	1/2"	1.15	1.15	1.25
43445	3/4"	3/4"	1"	1.30	1.30	1.34
43544	1"	3/4"	3/4"	1.37	1.36	1.36
43545	1"	3/4"	1"	1.54	1.39	1.54
43553	1"	1"	1/2"	1.33	1.33	1.32
43554	1"	1"	3/4"	1.33	1.33	1.26
43560	1"			1.53	1.53	1.53



Viega PureFlow Crimp Coupling Zero Lead PolyAlloy - Model V5215

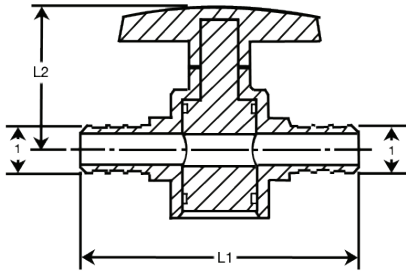
Part Number	Size		L(in)
	1	2	
43402	3/8"		1.52
43403	1/2"		1.50
43332	1/2"	3/8"	1.52
43343	3/4"	1/2"	1.50
43353	1"	1/2"	1.70
43404	3/4"		1.50
43354	1"	3/4"	1.70
43355	1"		1.82

Dimensional Documentation



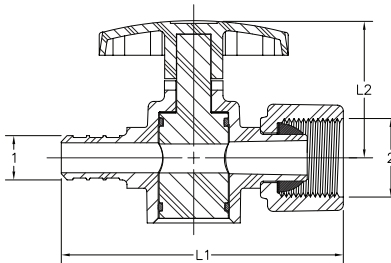
Viega PureFlow Crimp Test Plug Zero Lead PolyAlloy - Model V5058

Part Number	Size	L (in)
	1	
43702	3/8"	0.76
43723	1/2"	0.76
43744	3/4"	0.95
43765	1"	1.13



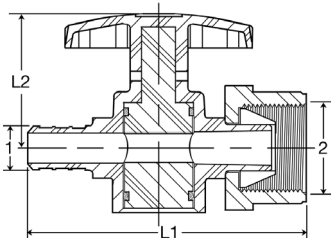
Viega PureFlow Crimp Valve Zero Lead PolyAlloy 1/4 Turn - Model V5236

Part Number	Size	L1 (in)	L2 (in)
	1		
43030	1/2"	2.83	1.45
43040	3/4"	3.00	1.45



Viega PureFlow Crimp Stop Valve Straight Zero Lead PolyAlloy Crimp x Lav 1/4 Turn - Model V5036.30

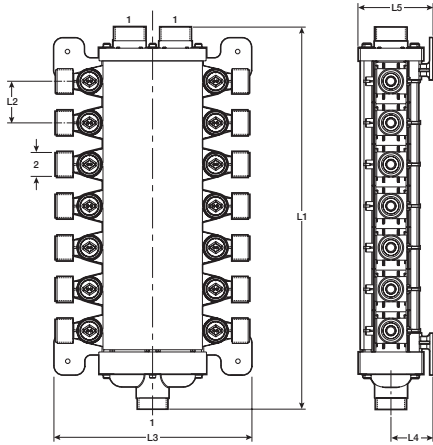
Part Number	Size	L1 (in)	L2 (in)
	1 2		
43023	3/8" x 1/2" Lav	3.00	1.45
43031	1/2" x 1/2" Lav	3.00	1.45



Viega PureFlow Crimp Stop Valve Straight Zero Lead PolyAlloy Crimp x Closet 1/4 Turn - Model V5036-31

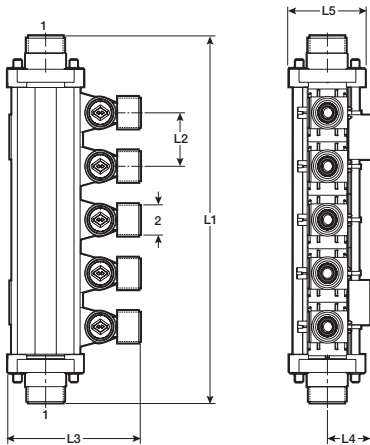
Part Number	Size	L1 (in)	L2 (in)
	1 2		
43002	3/8" x 1/2" Closet	3.00	1.45
43003	1/2" x 1/2" Closet	3.00	1.45

Dimensional Documentation



Viega ManaBloc Distribution Manifold Zero Lead Crimp - Model V5030.5

Part Number	Size		Ports	L1	L2	L3	L4	L5
	1	2						
50143	1" x 5/8"	NPSM	14	15.44"	1.68"	8.00"	1.70"	3.00"
51618	1" x 5/8"	NPSM	18	18.80"	1.68"	8.00"	1.70"	3.00"
50243	1" x 5/8"	NPSM	24	23.78"	1.68"	8.00"	1.70"	3.00"
50303	1" x 5/8"	NPSM	30	28.88"	1.68"	8.00"	1.70"	3.00"
50363	1" x 5/8"	NPSM	36	33.92"	1.68"	8.00"	1.70"	3.00"

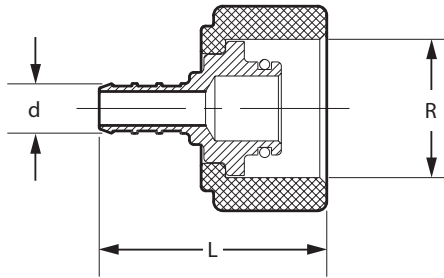


Viega MiniBloc Zoning Manifold Zero Lead Crimp - Model V5031.5

Part Number	Size		Ports	L1	L2	L3	L4	L5
	1	2						
50033	1" x 5/8"	NPSM	3	8.19"	1.68"	4.37"	1.42"	2.50"
50043	1" x 5/8"	NPSM	4	9.87"	1.68"	4.37"	1.42"	2.50"
51063*	1" x 5/8"	NPSM	5	11.55"	1.68"	4.37"	1.42"	2.50"
50063	1" x 5/8"	NPSM	6	13.23"	1.68"	4.37"	1.42"	2.50"
51073*	1" x 5/8"	NPSM	7	14.91"	1.68"	4.37"	1.42"	2.50"
50083	1" x 5/8"	NPSM	8	16.59"	1.68"	4.37"	1.42"	2.50"
51003*	1" x 5/8"	NPSM	10	19.95"	1.68"	4.37"	1.42"	2.50"

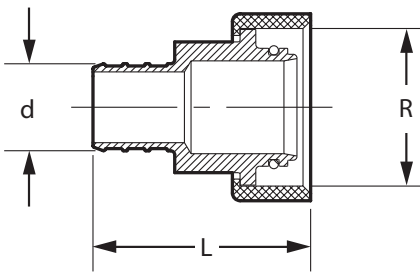
*Manifold incorporates hot and cold ports.

Dimensional Documentation



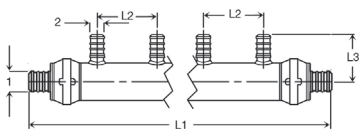
Viega PureFlow Crimp Port Adapter Zero Lead PolyAlloy for ManaBloc Crimp x Port - Model V5039.1

Part Number	Size		L (in)
	1	2	
50023	3/8" x 1/2" Port		1.58
50133	1/2" x 1/2" Port		1.58



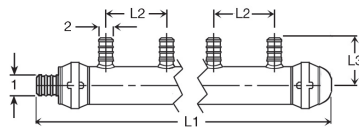
Viega PureFlow Crimp Supply Adapter Zero Lead PolyAlloy for ManaBloc Crimp x Supply - Model V5213

Part Number	Size		L (in)
	1	2	
50141	3/4" x 1" ManaBloc		1.66
50151	1" x 1" ManaBloc		1.84



Viega PureFlow Crimp Manifold Zero Lead PolyAlloy Flow Through - Model V5031.2

Part Number	Size		L1 (in)	L2 (in)	L3 (in)
	1	2			
65152	3/4" x 1/2" - 2 Outlet		6.50	2.00	1.55
65153	3/4" x 1/2" - 3 Outlet		8.50	2.00	1.55
65154	3/4" x 1/2" - 4 Outlet		10.50	2.00	1.55
65254	1" x 3/4" x 1/2" - 4 Outlet		10.60	2.00	1.55
65256	1" x 1/2" - 6 Outlet		14.80	2.00	1.55
65258	1" x 1/2" - 8 Outlet		18.80	2.00	1.55

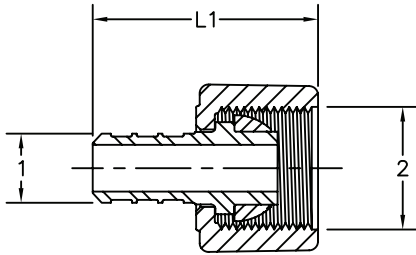


Viega PureFlow Crimp Manifold Zero Lead PolyAlloy Closed - Model V5031.22

Part Number	Size		L1 (in)	L2 (in)	L3 (in)
	1	2			
65104	3/4" x 1/2" - 4 Outlet		10.10	2.00	1.55
65206	1" x 1/2" - 6 Outlet		14.30	2.00	1.55

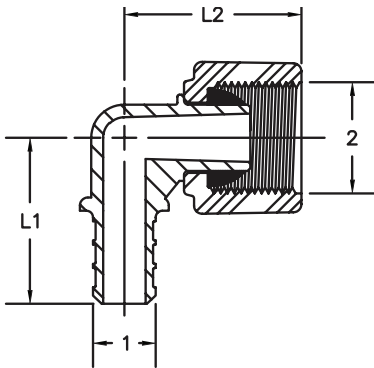
Dimensional Documentation

viega



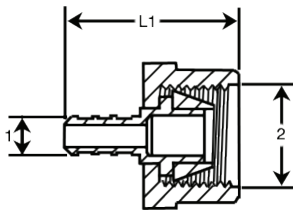
Viega PureFlow Crimp Lav Adapter Zero Lead PolyAlloy Crimp x Lav - Model V5263

Part Number	Size		L1 (in)
	1	2	
43323	3/8"	1/2" Lav	1.52
43333	1/2"	1/2" Lav	1.46
43344	3/4"	3/4" Lav	1.62



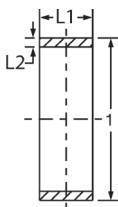
Viega PureFlow Crimp Lav Adapter 90° Elbow Zero Lead PolyAlloy Crimp x Lav - Model V5255

Part Number	Size		L1 (in)	L2 (in)
	1	2		
43232	3/8"	1/2" Lav	1.35	1.15
43233	1/2"	1/2" Lav	1.35	1.15
43244	3/4"	3/4" Lav	1.42	1.25



Viega PureFlow Crimp Closet Adapter Zero Lead PolyAlloy Crimp x Closet - Model V5257

Part Number	Size		L1 (in)
	1	2	
43300	3/8"	1/2" Closet	1.60
43320	1/2"	1/2" Closet	1.60



Viega PureFlow Crimp Ring Copper - Model V5019.9

Part Number	Size		L1 (in)	L2 (in)
	1	2		
43600	3/8"	SDR9	0.32	0.05
43620	1/2"	SDR9	0.32	0.05
43640	3/4"	SDR9	0.32	0.05
43660	1"	SDR9	0.36	0.04

Viega products are designed to be installed by licensed and trained plumbing and mechanical professionals who are familiar with our products' proper use and installation. **Installation by non-professionals may void Viega LLC's warranty.**

This document is subject to updates. For the most current Viega technical literature please visit www.viega.us.

Viega LLC • 585 Interlocken Blvd. • Broomfield, CO 80021 • Phone (800) 976-9819 • www.viega.us