

Schedule 40

TURNSTYLE® 600-TS

For most tubs 14" - 16" high

TURNSTYLE® 650-TS

For most tubs up to 24" high

Study 1.5" Schedule 40 PVC and ABS
Solvent-Weld Assembly

SPECIFICATIONS

FEATURES:

- Will fit most angle tubs.
- The look of a cable drive without the potential for behind-the-wall repair.
- Strainer body cover catches hair.
- Metal handle and strainer body.
- No stopper in drain elbow, therefore...no stopper adjustments are required, no stubbing-the-toe injuries, and theft resistant.
- Retainer plate for overflow elbow

APPROVALS:

- Manufactured in compliance with ASME A112.18.2-2005/
CSA B125.2-2005.

PATENTS:

- <https://www.watcomfg.com/patents>

OPERATION:

- Turn overflow plate to the left to open drain and to the right to close drain.

THREAD SIZE (Strainer Body and Drain Elbow):

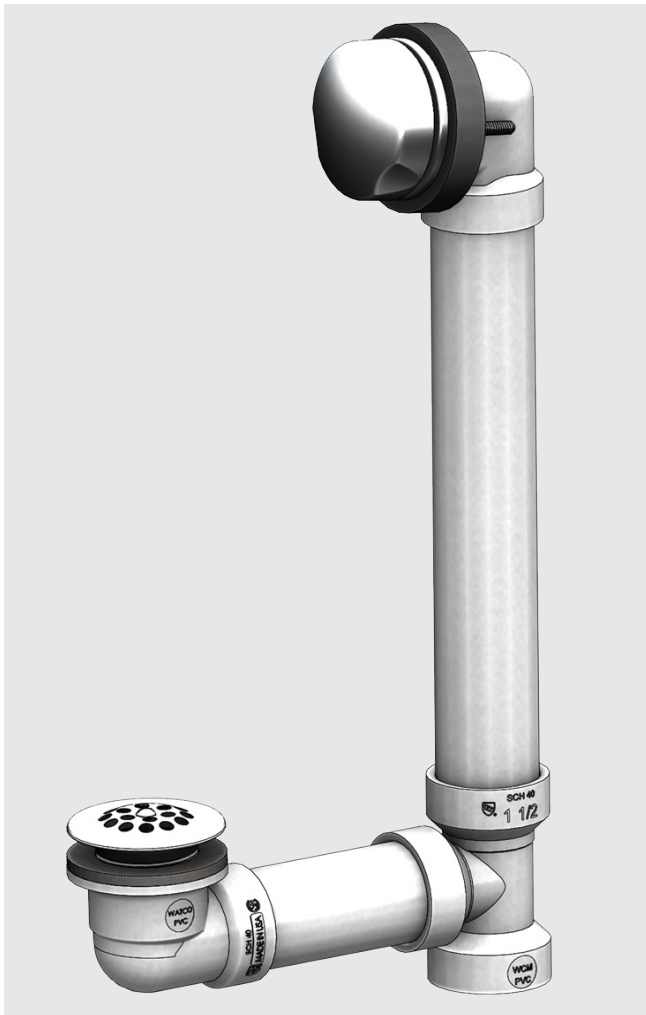
- 1½" – 11½ NPSM (Coarse Thread)
- 1.865" Major Diameter (outside thread diameter)
- 11.5 threads per inch

PIPING:

- PVC ABS

OPTIONS:

- Special lengths available:
- Overflow extension (add code "EXlength")
example: EX6
- Drain extension (add code "Dlength") example: D4



See price list for complete item numbers and available options.

When ordering, please specify complete item number and any applicable option codes.

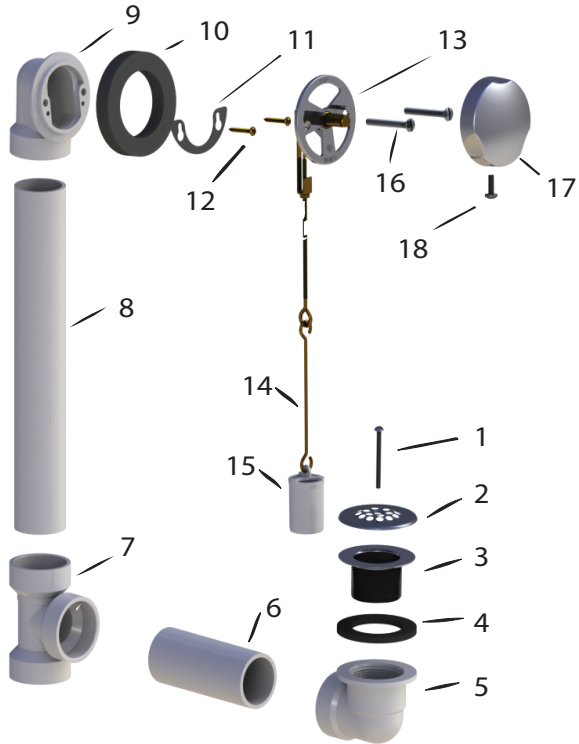
WATCO



Always a step ahead®

For More Information Contact:
WATCO Manufacturing Company
1220 South Powell Road
Independence, MO 64057-2724
Ph. 816-796-3900 • FAX 816-796-0875
www.watcomfg.com

600-TS/650-TS Series Parts List



Item	Part #	Description
1	01040CP	Strainer Cover Plate Screw
2	01006CP	Strainer Cover Plate
3	11495CP	Zinc Strainer Body, 1 1/2" - 11.5
4	10696	Drain Ell Washer
5	11008	Drain Ell, Schedule 40, ABS
	14008	Drain Ell, Schedule 40, PVC
6	11605	Pipe, Schedule 40, ABS, 1.5" x 4.625"
	11606	Pipe, Schedule 40, PVC, 1.5" x 4.625"
7	11017	Tee with Seat, Schedule 40, ABS
	14017	Tee with Seat, Schedule 40, PVC
8	11605	Pipe, Schedule 40, ABS, 1.5" x 12.0"
	11606	Pipe, Schedule 40, PVC, 1.5" x 12.0"
9	10096	Overflow Elbow, 2-Hole, Schedule 40, ABS
	10098	Overflow Elbow, 2-Hole, Schedule 40, PVC
10	10675	Overflow Ell Washer, Foam
11	11531	Retainer Plate for Schedule 40
12	11540	Retainer Plate Screw
13	20200CP	TURNSTYLE® Assembly
14	10954	TL Double-Loop Wire, 5.25"
15	11005	Drop Cylinder for ABS
	14005	Drop Cylinder for PVC
16	01024CP	Overflow Plate Screw, 2.25"
17	20030CP	Cable Overflow Plate
18	20140	Cable Overflow Plate Locking Screw

Part #13 (20200CP) consists of:

10920	TL Clevis for TS
10932	TS Brass Hex Nut 6-32
10934	TS SS Mach. Screw 6-32
10952	TL Linkage Nut
10953	Top Linkage Eye Bolt
20020CP	TS OF Mount w/Prongs
20041	TS Turning Pin
20042	TS Turning Pin Sleeve
20043	Cable Stop

Tube Closure:	PUSH PULL®	LIFT & TURN	PRESFLO®	FOOT ACT.
AP - Aged Pewter	•	•	•	
BB - Brushed Bronze	•	•	•	•
BN - Brushed Nickel	•	•	•	•
BO - Bone	•	•		
BS - Biscuit	•	•		
BZ - Oil-Rubbed Bronze	•	•	•	•
CB - Chrome Brushed	•	•	•	•
CP - Chrome Plated	•	•	•	•
NP - Nickel Polished	•	•	•	•
PB - Polished Brass	•	•	•	•
WH - White	•	•		•
WI - Wrought Iron	•	•	•	•

Roughing-In Dimensions:

