

Tubular Brass

Innovator® 591/592 For most regular tubs

Innovator® 598/599 For most deeper tubs

Sturdy 1.5" 17g Tubular Brass Slip-Joint Assembly SPECIFICATIONS



ADA PRESFLO® (PF) and
Foot Actuated (FA) only

OPTIONS:

- Brass Ferrules (add code "F" to part number)
- New York Lay-Down Tee (add code "NY" to part number)
- Slip-'N-Solder (no slip joints; code "U")
- Special lengths available:
 - Overflow extension (code "EXlength")
example: EX6
 - Drain extension (code "Dlength") example: D4
- W-Overflow Cover (see other side)

See price list for complete item numbers and available options.

When ordering, please specify complete item number and any applicable option codes.

WATCO



For More Information Contact:
WATCO Manufacturing Company
1220 South Powell Road
Independence, MO 64057-2724
Ph. 816-796-3900 • FAX 816-796-0875
www.watcomfg.com

FEATURES:

- Eliminates all screws
- Eliminates leaks due to loose overflow attachment
- Eliminates dual inventory of one- and two-hole overflow plates
- Metal strainer body for cast iron or plastic tubs
- Designed for heavy-duty use in hotels, motels, and rental properties

APPROVALS:

- Manufactured in compliance with ASME A112.18.2-2005/CSA B125.2-2005.

PATENTS:

- <https://www.watcomfg.com/patents>

THREAD SIZE (Strainer Body and Drain Elbow):

- 1½" – 11½ NPSM (Coarse Thread)
- 1.865" Major Diameter (outside thread diameter)
- 11.5 threads per inch

PIPING:

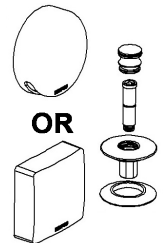
- 17 Gauge (591/598) □ 20 Gauge (592/599)

STOPPER/FACEPLATE'S

(example: 591-LTSF-0-CP)

Made up of the overflow plate and stopper assembly; NO strainer body.

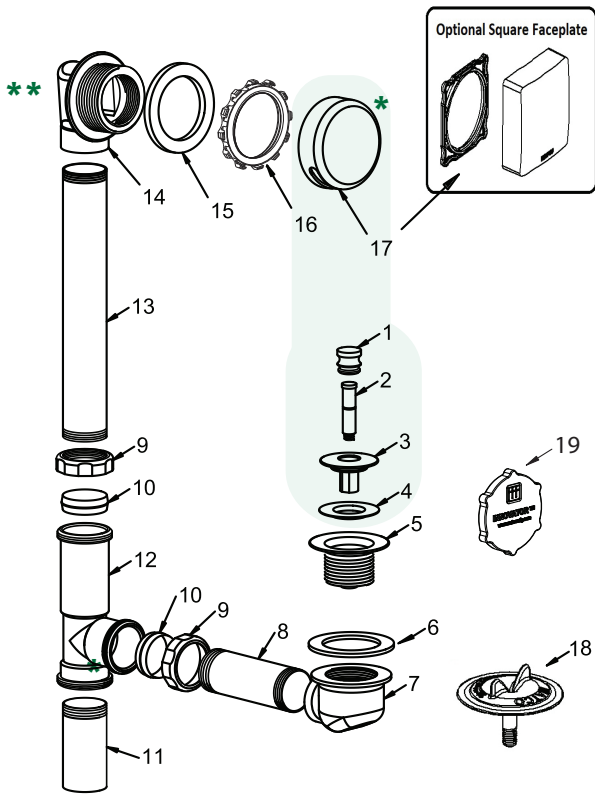
(See next page for available stopper assemblies.)



Finishes Available in the 591/598 Series:

Finishes Available in the 591/598 Series:	PUSH PULL®	LIFT & TURN	PRES-FLO®	FOOT ACT.	T42
AP - Aged Pewter	•	•	•		
BB - Brushed Bronze	•	•	•	•	
BN - Brushed Nickel	•	•	•	•	•
BO - Bone	•	•			
BS - Biscuit	•	•			
BZ - Oil-Rubbed Bronze	•	•	•	•	•
CB - Chrome Brushed	•	•	•	•	•
CP - Chrome Plated	•	•	•	•	•
NP - Nickel Polished	•	•	•	•	•
PB - Polished Brass	•	•	•	•	•
WH - White	•	•	•	•	
WI - Wrought Iron	•	•	•	•	

591/598 Series Parts List



Item	Part #	Description
1	01010CP	Knob, Brass
2	11584	Friction Ring (11504) and Post (11508)
3	01013CP	Stopper, Brass
4	11507	Seal, 1 1/16" dia.
5	01016CP	Strainer Body, Brass, 11/2" - 111/2
6	10696	Drain Ell Washer, 1.5", gray
7	44006	Drain Ell, Brass
8	17GA-4.75	For 591 Drain Ell Tube, 17g, 4.75"
	20GA-4.75	For 592 Drain Ell Tube, 20g, 4.75"
	17GA-9.625	For 598 Drain Ell Tube, 17g, 9.625"
	20GA-9.625	For 599 Drain Ell Tube, 20g, 9.625"
9	41580	Brass Slip Nut
10	11583	Slip Joint Polywasher
11	17GA-3.5	For 591 Tail Piece, 17g, 3.5"
	20GA-3.5	For 592 Tail Piece, 20g, 3.5"
	17GA-9.625	For 598 Tail Piece, 17g, 3.5
	20GA-9.625	For 599 Tail Piece, 20g, 3.5"
12	44001	Brass Tee
13	17GA-9.625	For 591 Overflow Ell Tube, 17g, 9.625"
	20GA-9.625	For 592 Overflow Ell Tube, 20g, 9.625"
	17GA-9.625	For 598 Overflow Ell Tube, 17g, 18.125"
20GA-9.625	For 599 Overflow Ell Tube, 20g, 18.125"	
14	44005	Overflow Ell, Brass for Innovator®
15	10675	Overflow Ell Washer for Brass
16	11121	Star Retainer Nut for Innovator®
	01005CP	Square Retainer Nut for Innovator®
17	01005CP	Innovator® Overflow Plate
	01007CP	Innovator® Square Overflow Plate
18	11114	Innovator® Test Cap
19	11577	Test Plug w/O-Ring-type Gasket

* SF: (example: 900-PPSF) Parts #1 thru #4, and #17

** RI: (example: 591-PPRI) Parts #5 thru #16, #18 and #19

OPTIONAL TUB CLOSURES FOR 591/598-SERIES BATH WASTES (PUSH PULL® ALSO SHOWN ABOVE)

PUSH PULL®
Coarse Thread

1.	01010CP
	01010__*
2.	11584
3.	01013CP
	01013__*
4.	11507
5.	01016CP
	01016__*

LIFT & TURN
Coarse Thread

1.	01010CP
	01010__*
2.	11079
3.	11088
4.	11290CP
	01013__*
5.	11507
6.	11492CP
	01016__*

PRESFLO®
Coarse Thread

1.	11145CP
	11145__*
2.	11132
3.	11060CP
	11060__*
4.	96039:
	Suction Cup for removing stopper

FOOT ACTUATED
Coarse Thread

1.	38412-CP
	38412-__*
2.	11492-CP
	01016-__*

*If finish other than Chrome is desired, please use this part number and indicate desired finish.

WITH OPTIONAL OVERFLOW COVER

Fits Kohler's Tea-for-Two tub.



591-__-BRS-CP-T42
BN-BZ-CB-NP-PB

Part #01001CP replaces
#01005CP (#17 above).

